

CORNICE

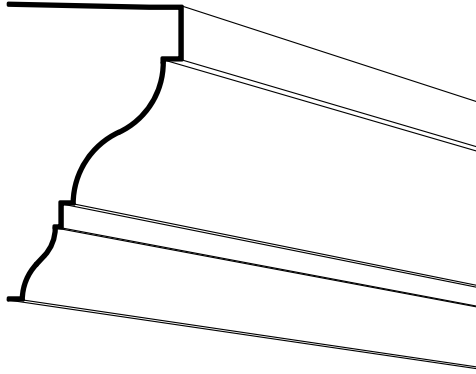


ARCHITECTURAL FIBERGLASS, INC.

8300 Bessemer Ave. * Cleveland, OH 44127-1839 * 216-641-8300 * Fax 216-641-8150 * www.fiberglass-afi.com

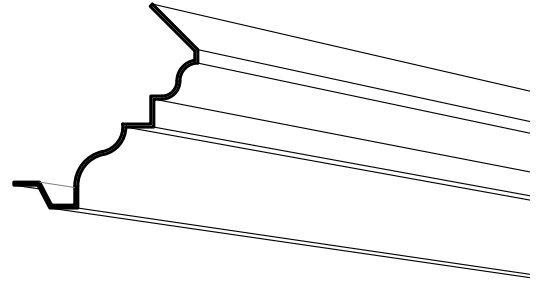
C-300

DEPTH: 1'-2 1/2"
HEIGHT: 2'-0 3/4"



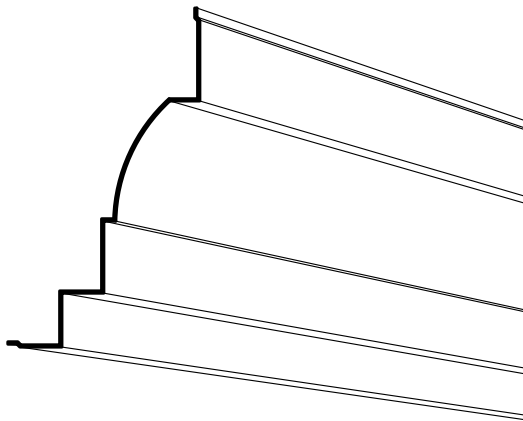
C-301

DEPTH: 11 1/2"
HEIGHT: 1'-0 3/4"



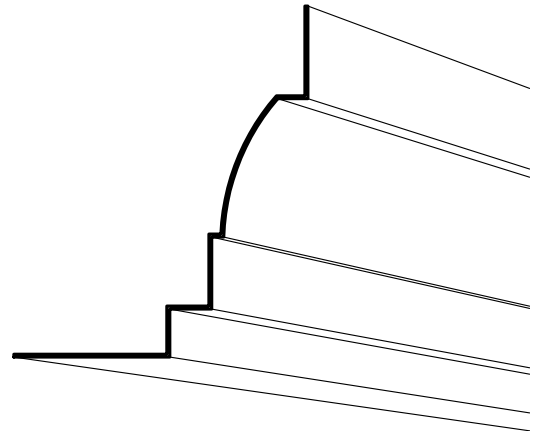
C-302

DEPTH: 1'-4"
HEIGHT: 2'-4 1/4"



C-303

DEPTH: 2'-0 1/2"
HEIGHT: 2'-5 1/4"



CORNICE

SHEET NO.

C-01

2025

PROFILES

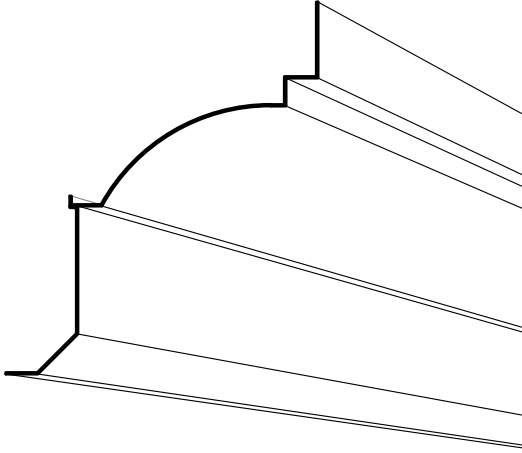


ARCHITECTURAL FIBERGLASS, INC.

8300 BESSEMER AVE., CLEVELAND, OHIO 44127-1839
(216) 641-8300 - FAX:(216) 641-8150
www.fiberglass-afi.com

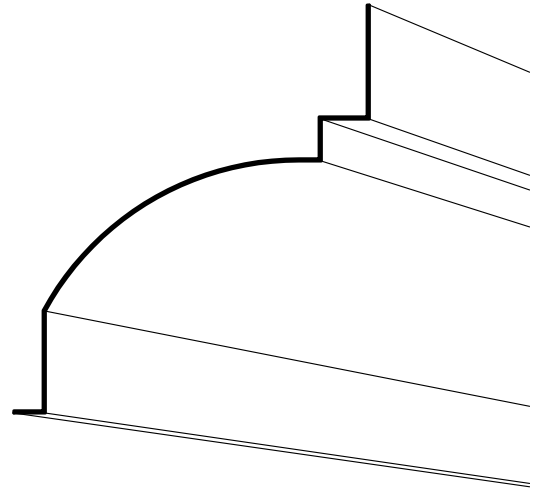
C-304

DEPTH: 3'-3"
HEIGHT: 3'-10 1/2"



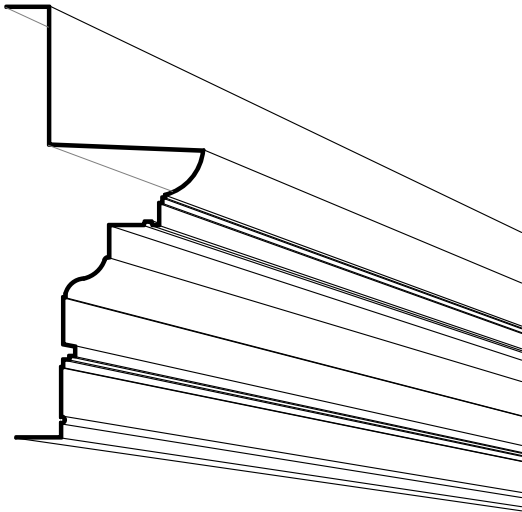
C-305

DEPTH: 2'-5 5/8"
HEIGHT: 2'-10"



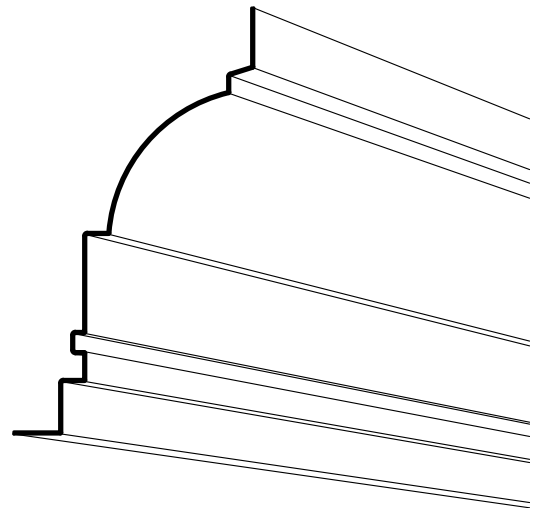
C-306

DEPTH: 2'-0 3/4"
HEIGHT: 4'-6"



C-307

DEPTH: 1'-8"
HEIGHT: 2'-11 1/2"



CORNICE

SHEET NO.

C-02

2025

PROFILES

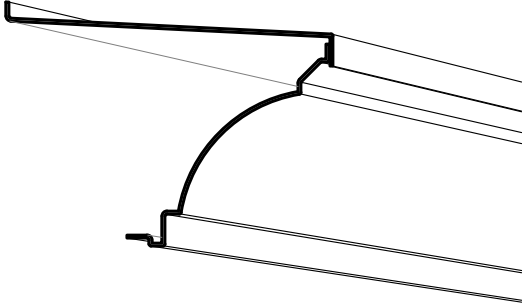


ARCHITECTURAL FIBERGLASS, INC.

8300 BESSEMER AVE., CLEVELAND, OHIO 44127-1839
(216) 641-8300 - FAX:(216) 641-8150
www.fiberglass-afi.com

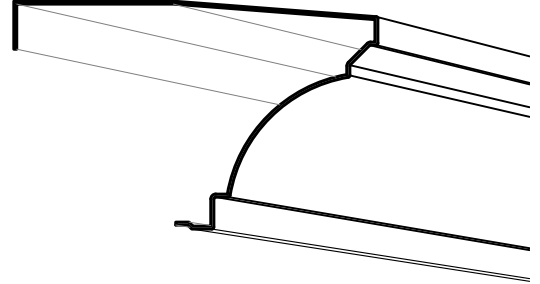
C-308

DEPTH: 1'-8 7/16"
HEIGHT: 1'-3 1/4"



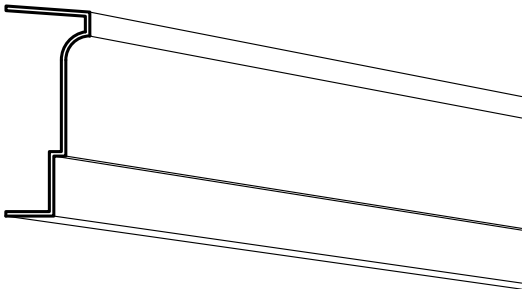
C-309

DEPTH: 1'-10 3/4"
HEIGHT: 1'-2 1/4"



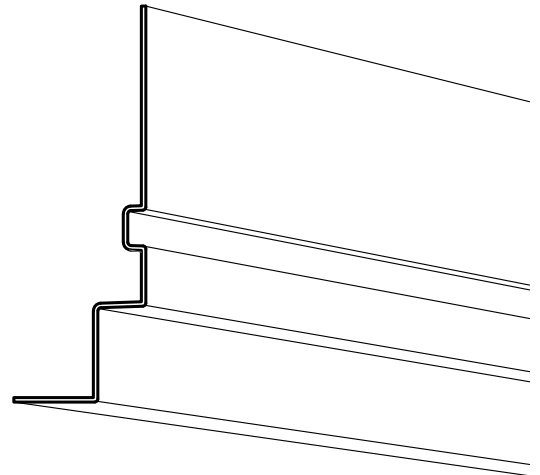
C-310

DEPTH: 3 1/2"
HEIGHT: 8 3/4"



C-311

DEPTH: 5 1/2"
HEIGHT: 1'-4 1/2"



CORNICE

SHEET NO.

C-03

2025

PROFILES

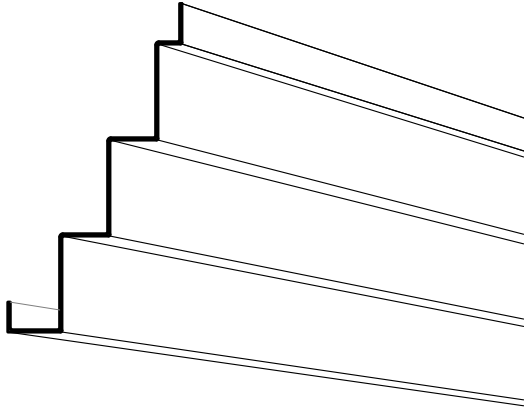


ARCHITECTURAL FIBERGLASS, INC.

8300 BESSEMER AVE., CLEVELAND, OHIO 44127-1839
(216) 641-8300 - FAX:(216) 641-8150
www.fiberglass-afi.com

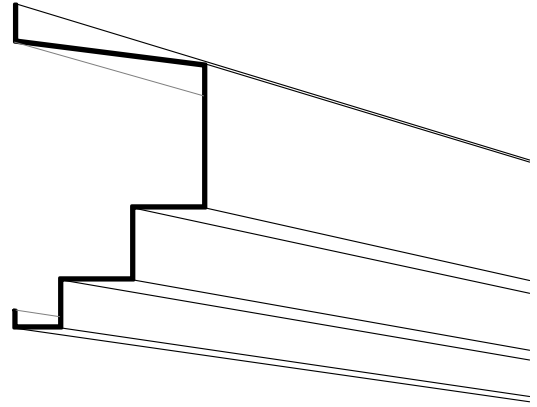
C-312

DEPTH: 1'-2 1/2"
HEIGHT: 2'-3 3/8"



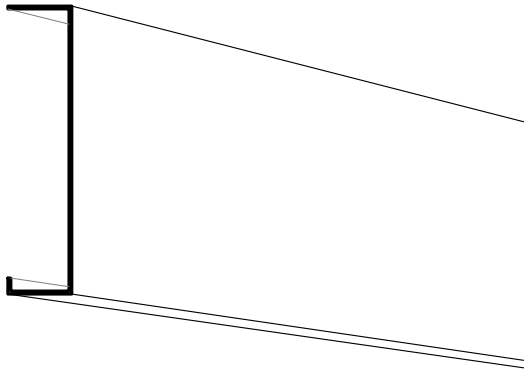
C-313

DEPTH: 1'-4"
HEIGHT: 2'-3"



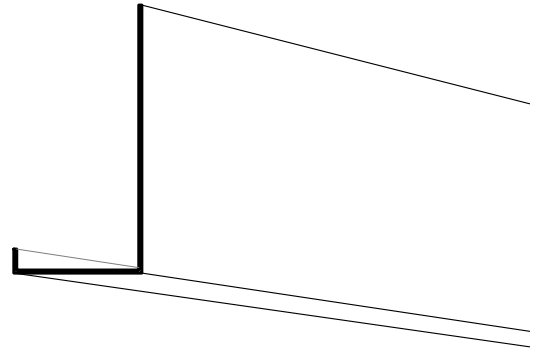
C-314

DEPTH: 4"
HEIGHT: 1'-6"



C-315

DEPTH: 8"
HEIGHT: 1'-4 3/4"



CORNICE

SHEET NO.

C-04

2025

PROFILES

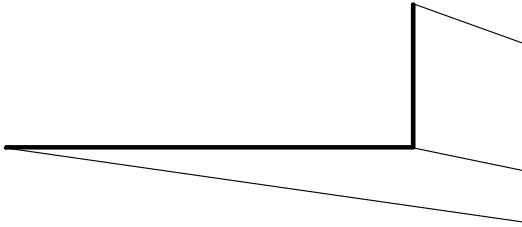


ARCHITECTURAL FIBERGLASS, INC.

8300 BESSEMER AVE., CLEVELAND, OHIO 44127-1839
(216) 641-8300 - FAX:(216) 641-8150
www.fiberglass-afi.com

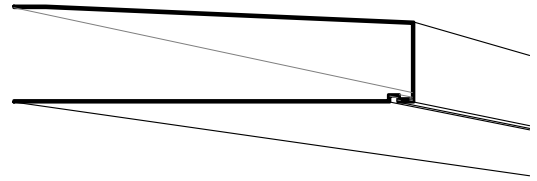
C-316

DEPTH: 4'-3"
HEIGHT: 1'-6"



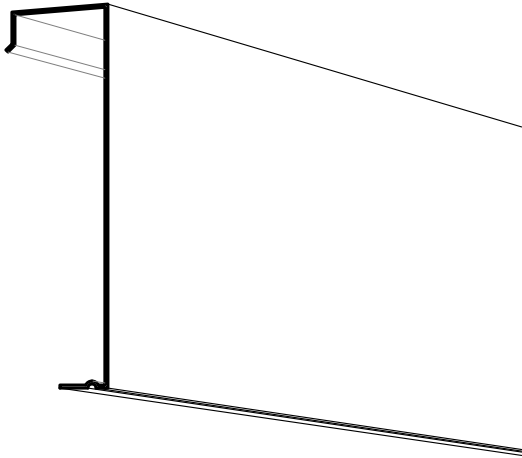
C-317

DEPTH: 4'-2"
HEIGHT: 1'-0"



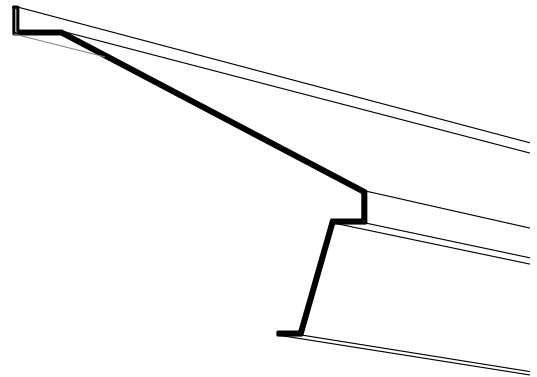
C-318

DEPTH: 6 3/8"
HEIGHT: 2'-0"



C-319

DEPTH: 1'-10"
HEIGHT: 1'-8 1/2"



CORNICE

SHEET NO.

C-05

2025

PROFILES

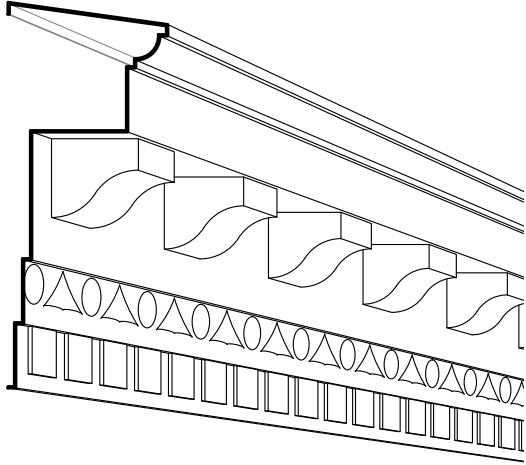


ARCHITECTURAL FIBERGLASS, INC.

8300 BESSEMER AVE., CLEVELAND, OHIO 44127-1839
(216) 641-8300 - FAX:(216) 641-8150
www.fiberglass-afi.com

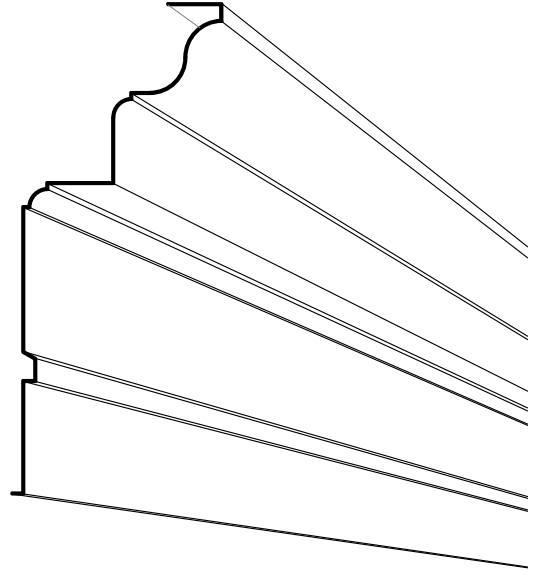
C-320

DEPTH: 1'-8"
HEIGHT: 4'-0 1/4"



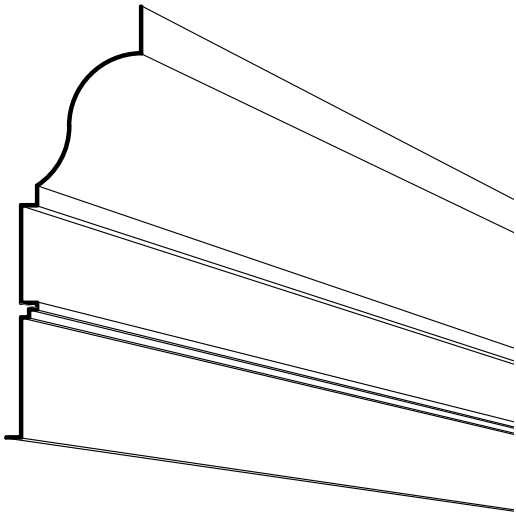
C-321

DEPTH: 2'-11"
HEIGHT: 6'-9 3/4"



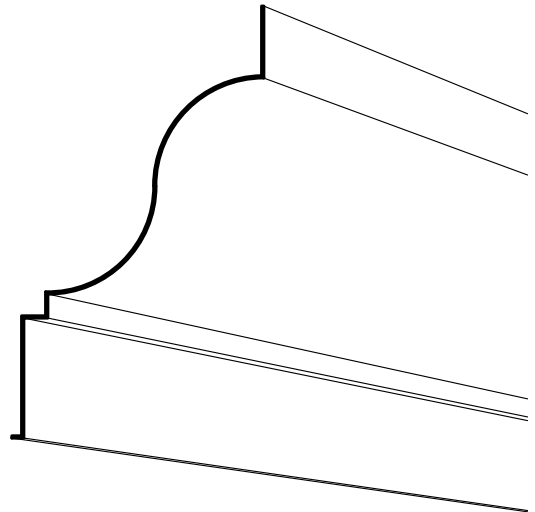
C-322

DEPTH: 1'-5"
HEIGHT: 4'-6"



C-323

DEPTH: 1'-9"
HEIGHT: 3'-0"



CORNICE

SHEET NO.

C-06

2025

PROFILES

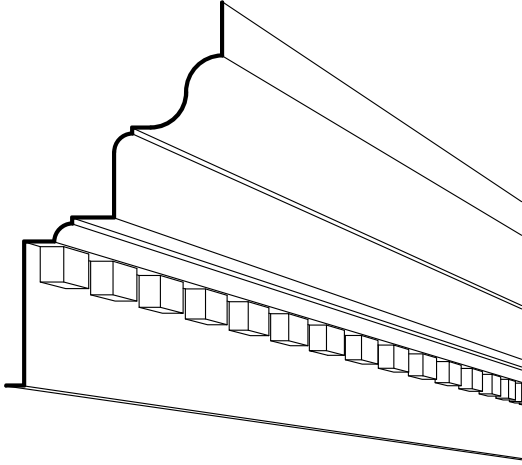


ARCHITECTURAL FIBERGLASS, INC.

8300 BESSEMER AVE., CLEVELAND, OHIO 44127-1839
(216) 641-8300 - FAX:(216) 641-8150
www.fiberglass-afi.com

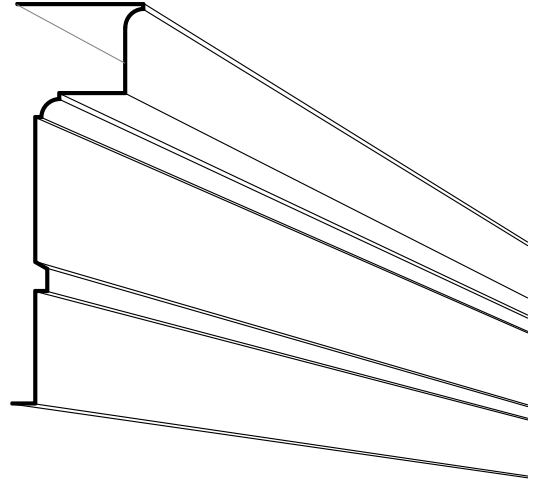
C-324

DEPTH: 3'-0 1/8"
HEIGHT: 5'-4"



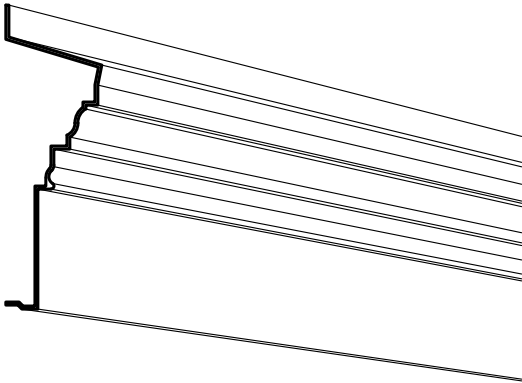
C-325

DEPTH: 1'-10"
HEIGHT: 5'-6 3/4"



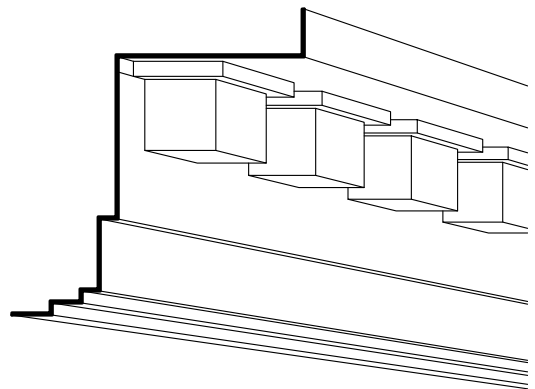
C-326

DEPTH: 6"
HEIGHT: 1'-7"



C-327

DEPTH: 2'-0 3/8"
HEIGHT: 2'-1 1/2"



CORNICE

SHEET NO.

C-07

2025

PROFILES

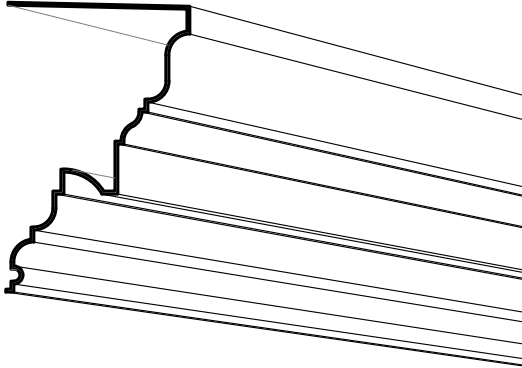


ARCHITECTURAL FIBERGLASS, INC.

8300 BESSEMER AVE., CLEVELAND, OHIO 44127-1839
(216) 641-8300 - FAX:(216) 641-8150
www.fiberglass-afi.com

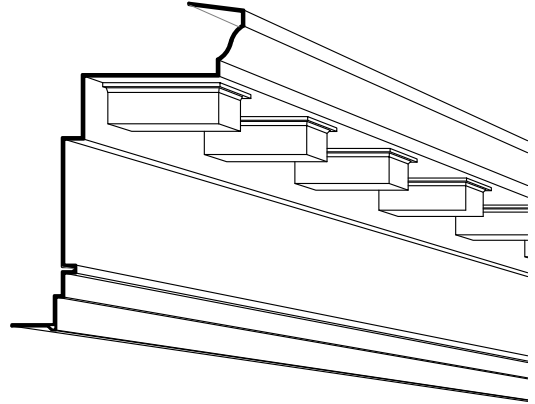
C-328

DEPTH: 11 1/2"
HEIGHT: 1'-6 1/8"



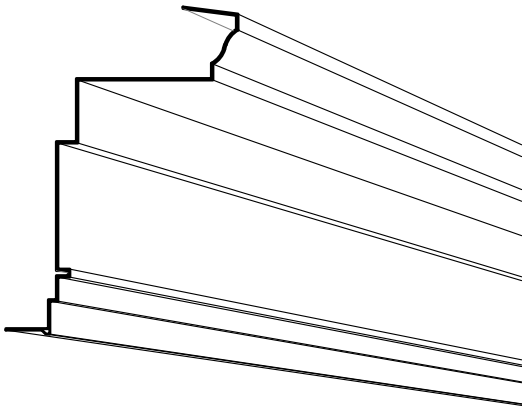
C-329

DEPTH: 2'-5"
HEIGHT: 3'-4 7/8"



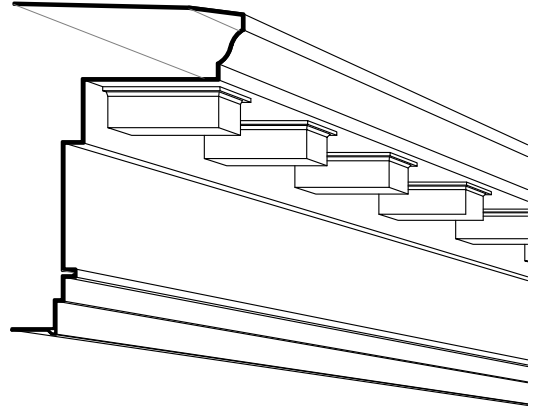
C-330

DEPTH: 2'-5"
HEIGHT: 3'-4 7/8"



C-331

DEPTH: 2'-5"
HEIGHT: 3'-5 3/8"



CORNICE

SHEET NO.

C-08

2025

PROFILES

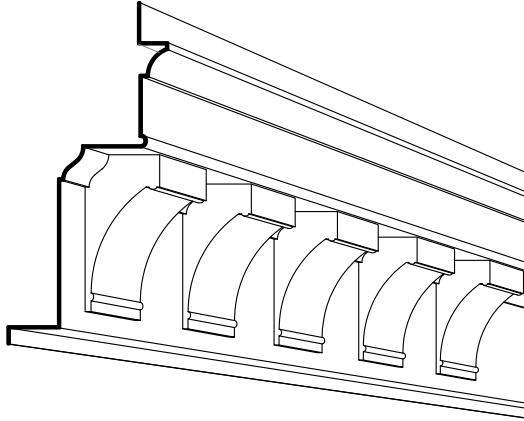


ARCHITECTURAL FIBERGLASS, INC.

8300 BESSEMER AVE., CLEVELAND, OHIO 44127-1839
(216) 641-8300 - FAX:(216) 641-8150
www.fiberglass-afi.com

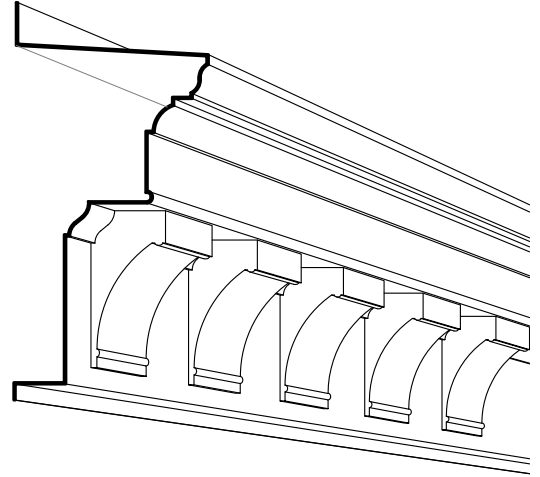
C-332

DEPTH: 1'-8"
HEIGHT: 3'-6 3/4"



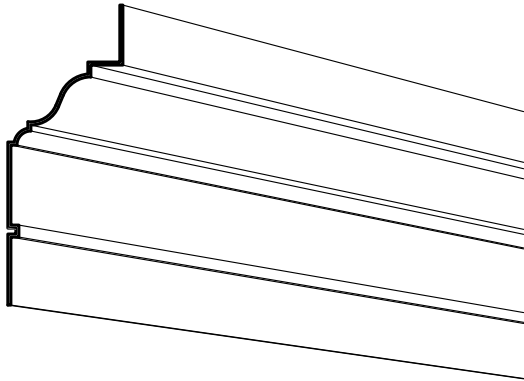
C-333

DEPTH: 2'-0 5/16"
HEIGHT: 4'-1 11/16"



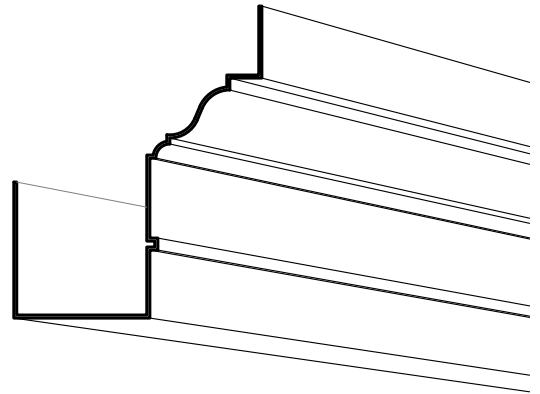
C-334

DEPTH: 7 3/16"
HEIGHT: 1'-6 3/4"



C-335

DEPTH: 1'-3 1/2"
HEIGHT: 1'-7 1/2"



CORNICE

SHEET NO.

C-09

2025

PROFILES

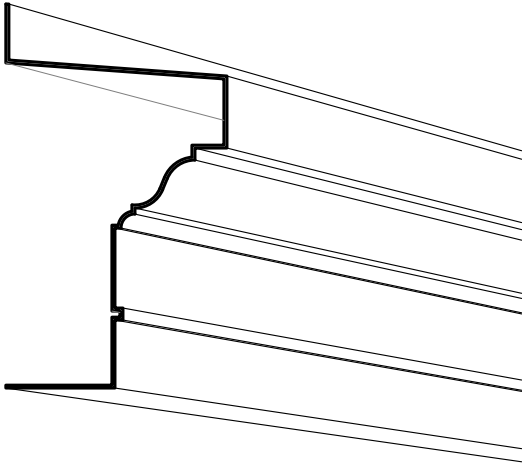


ARCHITECTURAL FIBERGLASS, INC.

8300 BESSEMER AVE., CLEVELAND, OHIO 44127-1839
(216) 641-8300 - FAX:(216) 641-8150
www.fiberglass-afi.com

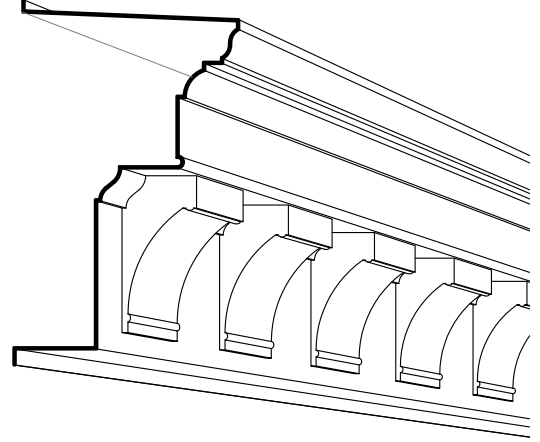
C-336

DEPTH: 1'-1 7/8"
HEIGHT: 2'-0"



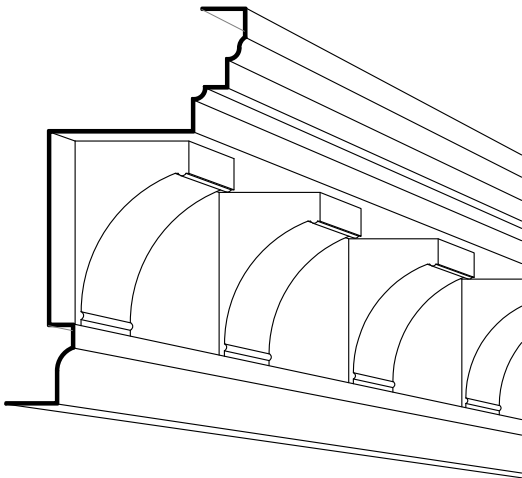
C-337

DEPTH: 2'-4 1/8"
HEIGHT: 3'-9 5/8"



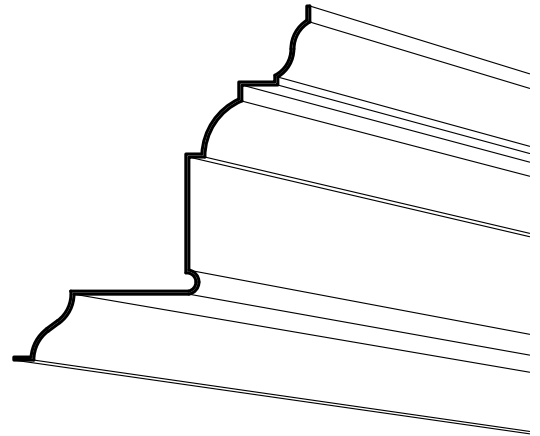
C-338

DEPTH: 2'-6"
HEIGHT: 4'-1 1/2"



C-339

DEPTH: 1'-6 1/2"
HEIGHT: 1'-10 1/8"



CORNICE

SHEET NO.

C-10

2025

PROFILES

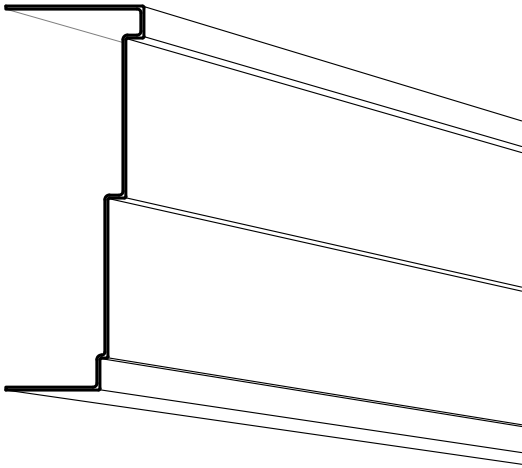


ARCHITECTURAL FIBERGLASS, INC.

8300 BESSEMER AVE., CLEVELAND, OHIO 44127-1839
(216) 641-8300 - FAX:(216) 641-8150
www.fiberglass-afi.com

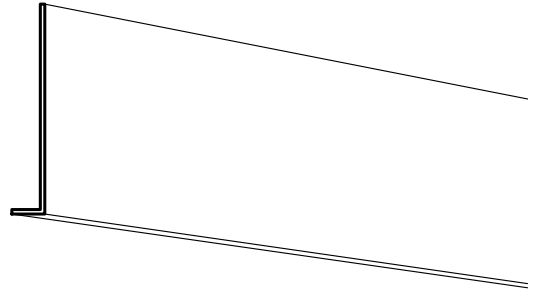
C-340

DEPTH: 8 5/8"
HEIGHT: 2'-0"



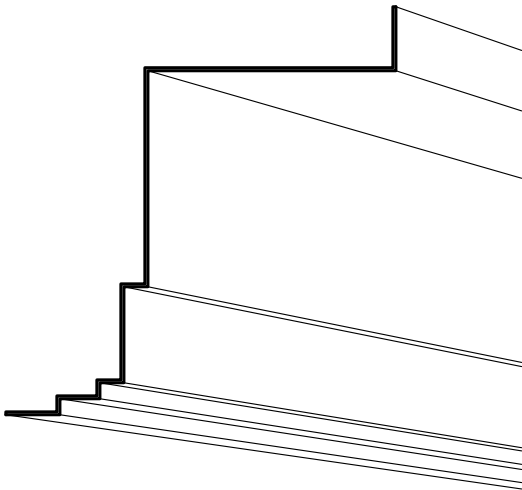
C-341

DEPTH: 1 3/8"
HEIGHT: 8 3/4"



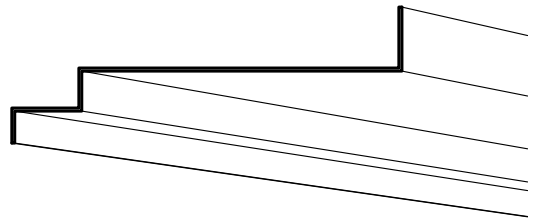
C-342

DEPTH: 2'-0 3/8"
HEIGHT: 2'-1 1/2"



C-343

DEPTH: 2'-0 3/8"
HEIGHT: 8 1/2"



CORNICE

SHEET NO.

C-11

2025

PROFILES

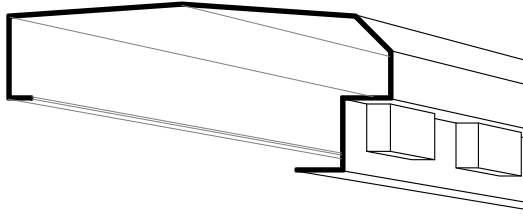


ARCHITECTURAL FIBERGLASS, INC.

8300 BESSEMER AVE., CLEVELAND, OHIO 44127-1839
(216) 641-8300 - FAX:(216) 641-8150
www.fiberglass-afi.com

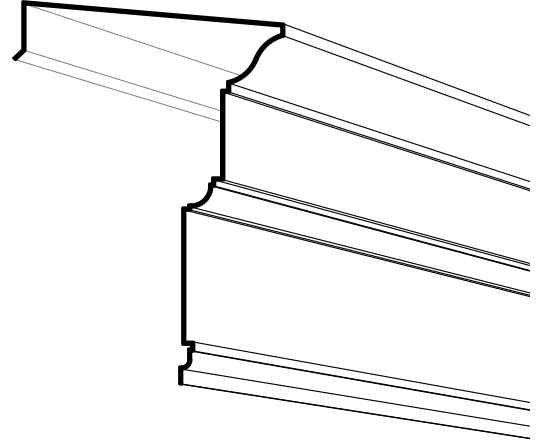
C-344

DEPTH: 2'-8"
HEIGHT: 1'-2"



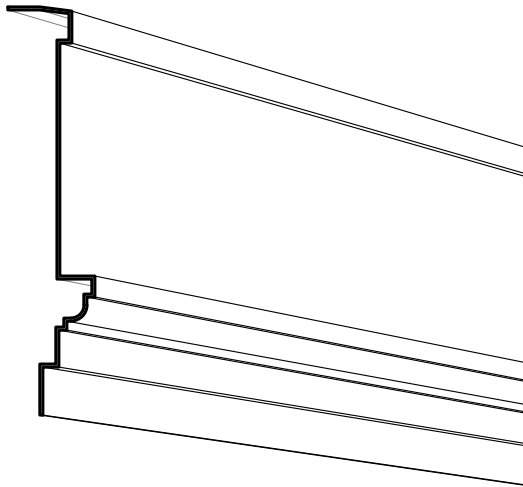
C-345

DEPTH: 1'-10 1/2"
HEIGHT: 2'-7 7/8"



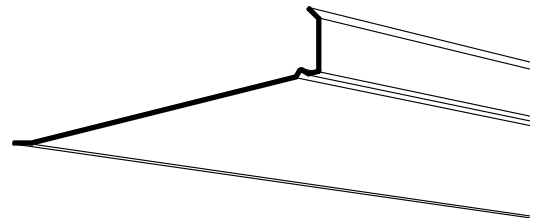
C-346

DEPTH: 5 7/16"
HEIGHT: 2'-1 1/2"



C-347

DEPTH: 2'-1 1/2"
HEIGHT: 11 3/8"



CORNICE

SHEET NO.

C-12

2025

PROFILES

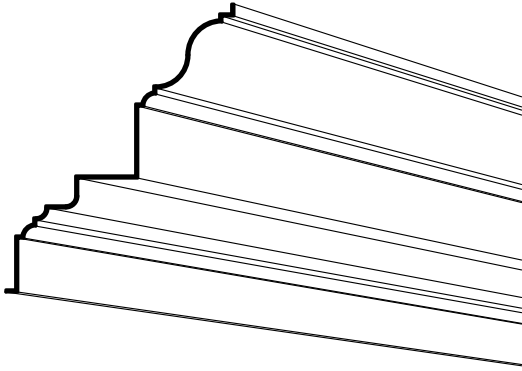


ARCHITECTURAL FIBERGLASS, INC.

8300 BESSEMER AVE., CLEVELAND, OHIO 44127-1839
(216) 641-8300 - FAX:(216) 641-8150
www.fiberglass-afi.com

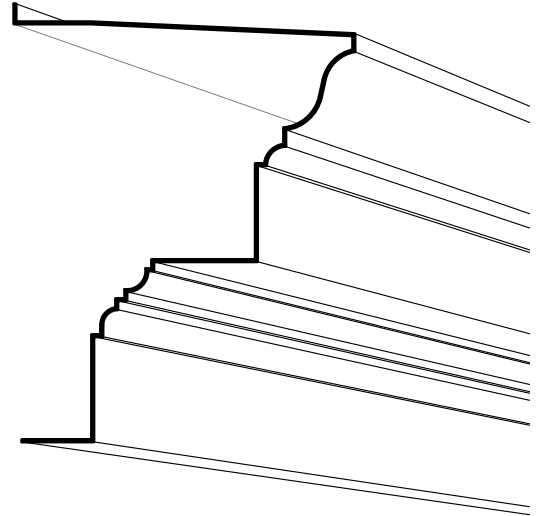
C-348

DEPTH: 1'-7"
HEIGHT: 2'-0"



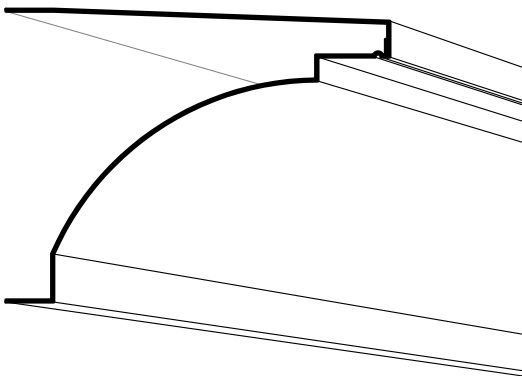
C-349

DEPTH: 2'-4 7/16"
HEIGHT: 3'-0 1/2"



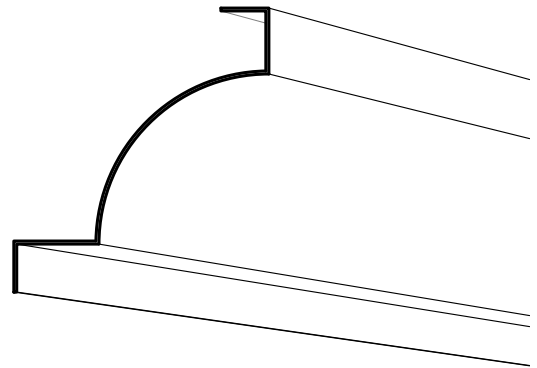
C-350

DEPTH: 2'-8"
HEIGHT: 2'-0 7/16"



C-351

DEPTH: 1'-3 15/16"
HEIGHT: 1'-5 3/4"



CORNICE

SHEET NO.

C-13

2025

PROFILES

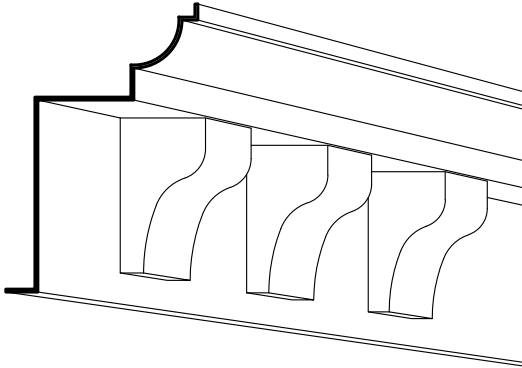


ARCHITECTURAL FIBERGLASS, INC.

8300 BESSEMER AVE., CLEVELAND, OHIO 44127-1839
(216) 641-8300 - FAX:(216) 641-8150
www.fiberglass-afi.com

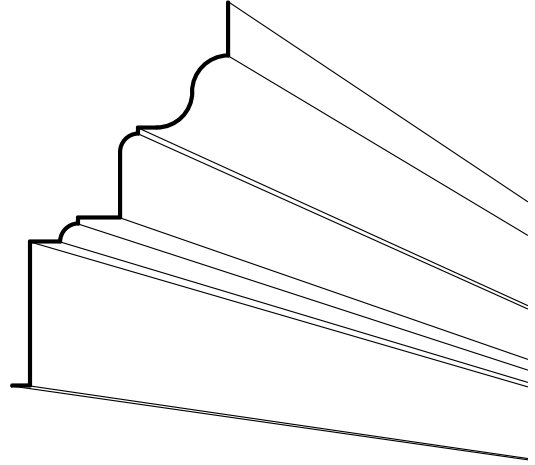
C-352

DEPTH: 1'-0"
HEIGHT: 1'-6"



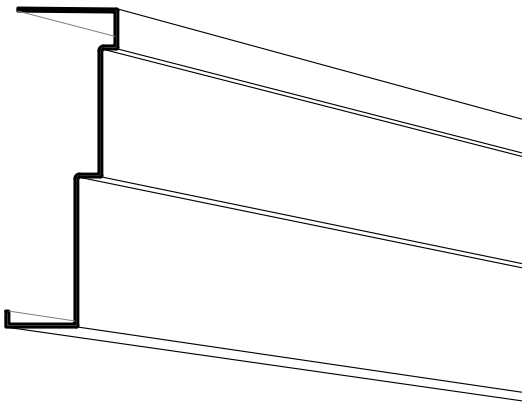
C-353

DEPTH: 3'-0 1/8"
HEIGHT: 5'-4"



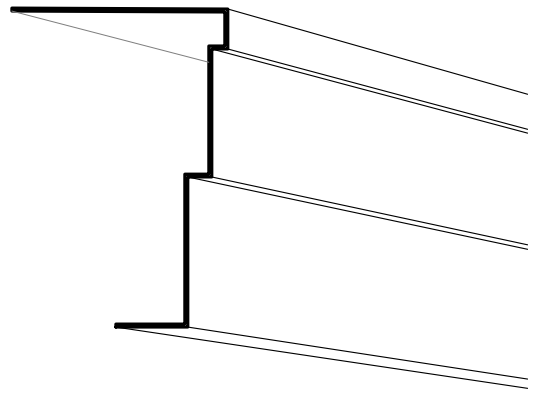
C-354

DEPTH: 7"
HEIGHT: 1'-7 15/16"



C-355

DEPTH: 1'-1 1/2"
HEIGHT: 1'-7 15/16"



CORNICE

SHEET NO.

C-14

2025

PROFILES

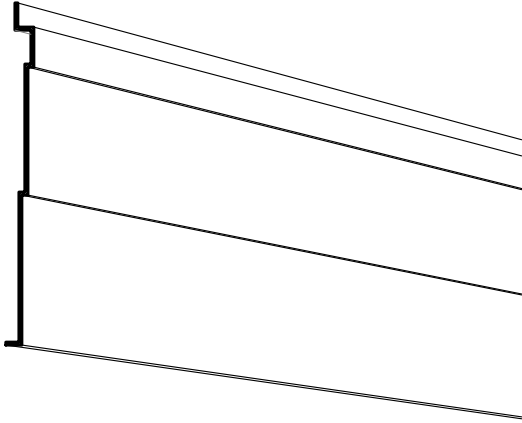


ARCHITECTURAL FIBERGLASS, INC.

8300 BESSEMER AVE., CLEVELAND, OHIO 44127-1839
(216) 641-8300 - FAX:(216) 641-8150
www.fiberglass-afi.com

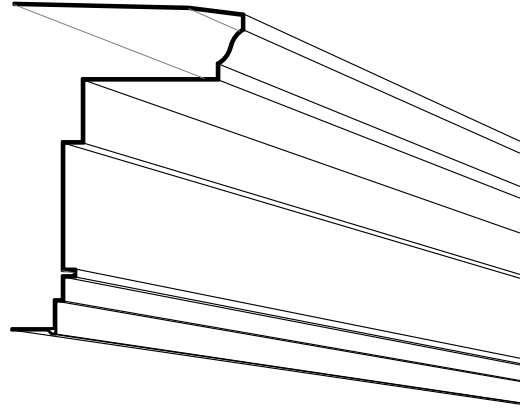
C-356

DEPTH: 1 3/4"
HEIGHT: 1'-9 3/8"



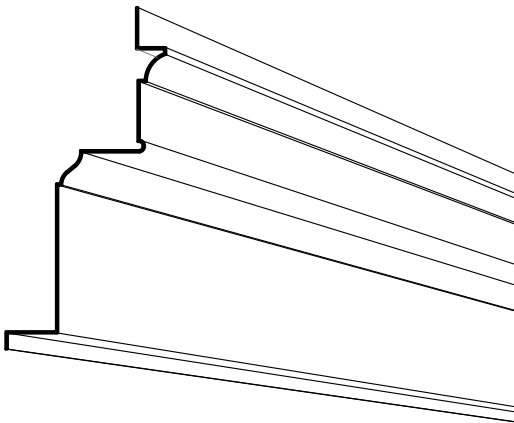
C-357

DEPTH: 2'-5"
HEIGHT: 3'-5 3/8"



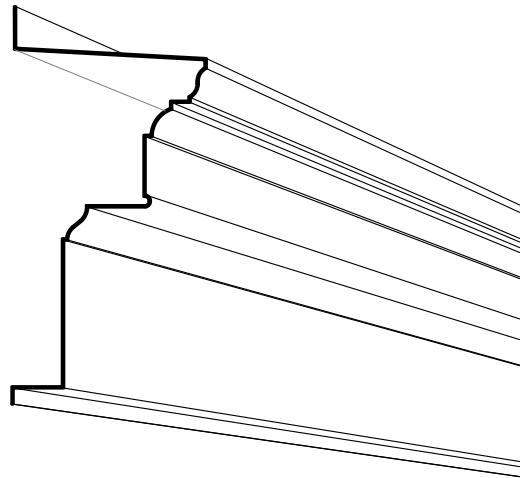
C-358

DEPTH: 1'-8"
HEIGHT: 3'-6 11/16"



C-359

DEPTH: 2'-0 5/16"
HEIGHT: 4'-1 11/16"



CORNICE

SHEET NO.

C-15

2025

PROFILES

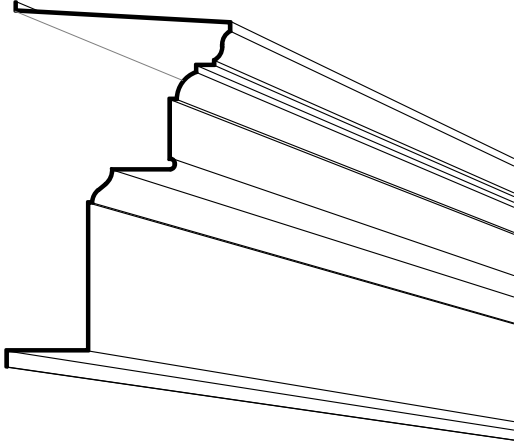


ARCHITECTURAL FIBERGLASS, INC.

8300 BESSEMER AVE., CLEVELAND, OHIO 44127-1839
(216) 641-8300 - FAX:(216) 641-8150
www.fiberglass-afi.com

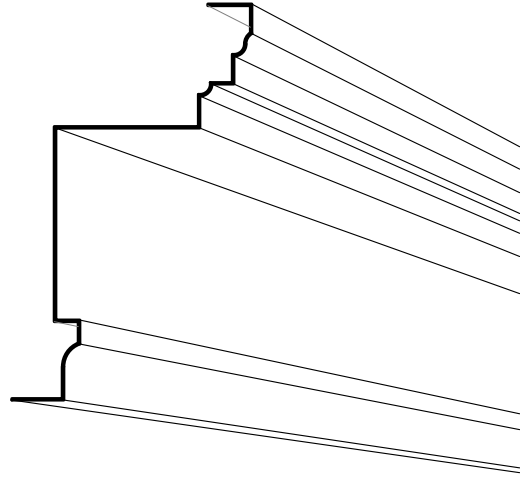
C-360

DEPTH: 2'-4 1/8"
HEIGHT: 3'-9 11/16"



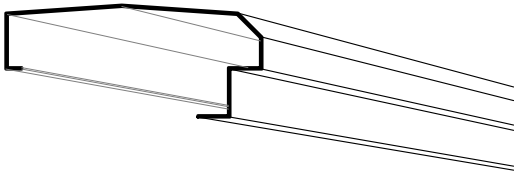
C-361

DEPTH: 2'-6"
HEIGHT: 4'-1 1/2"



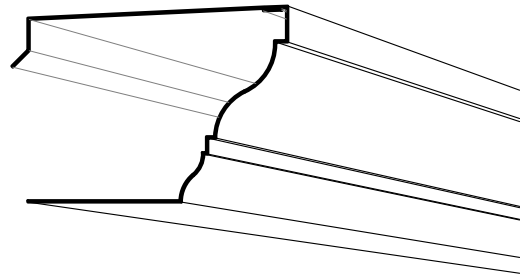
C-362

DEPTH: 2'-8"
HEIGHT: 1'-2"



C-363

DEPTH: 2'-10 1/2"
HEIGHT: 2'-0 1/2"



CORNICE

SHEET NO.

C-16

2025

PROFILES

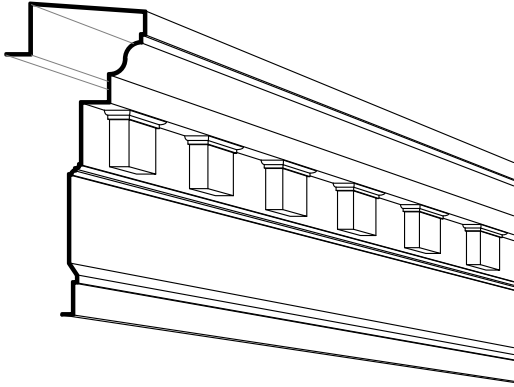


ARCHITECTURAL FIBERGLASS, INC.

8300 BESSEMER AVE., CLEVELAND, OHIO 44127-1839
(216) 641-8300 - FAX:(216) 641-8150
www.fiberglass-afi.com

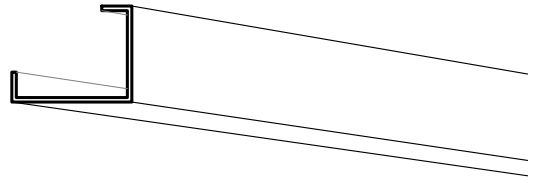
C-364

DEPTH: 1'-5 1/2"
HEIGHT: 3'-3"



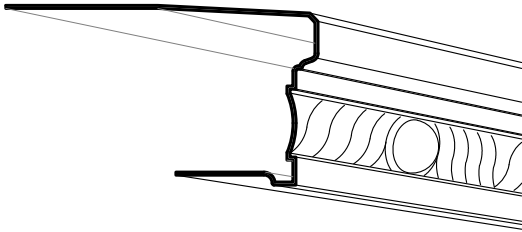
C-365

DEPTH: 5"
HEIGHT: 4"



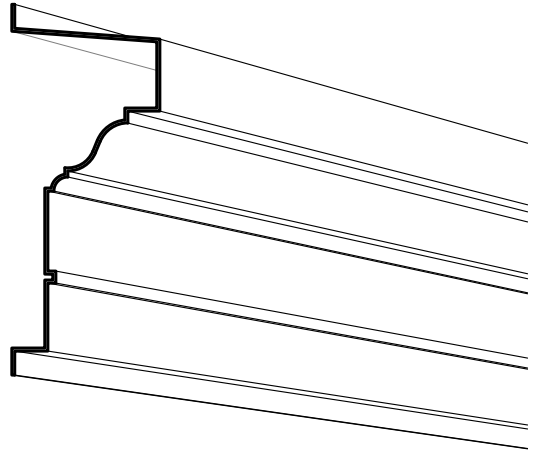
C-366

DEPTH: 1'-7 1/2"
HEIGHT: 11 1/4"



C-367

DEPTH: 9 1/4"
HEIGHT: 1'-11 3/16"



CORNICE

SHEET NO.

C-17

2025

PROFILES

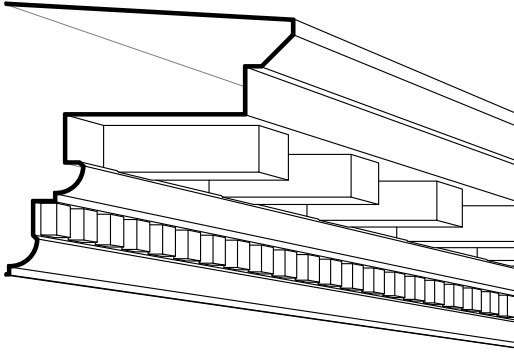


ARCHITECTURAL FIBERGLASS, INC.

8300 BESSEMER AVE., CLEVELAND, OHIO 44127-1839
(216) 641-8300 - FAX:(216) 641-8150
www.fiberglass-afi.com

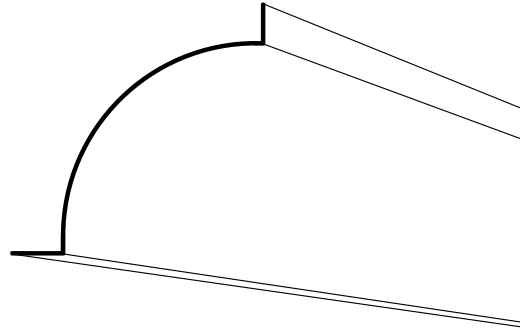
C-368

DEPTH: 3'-0"
HEIGHT: 2'-10"



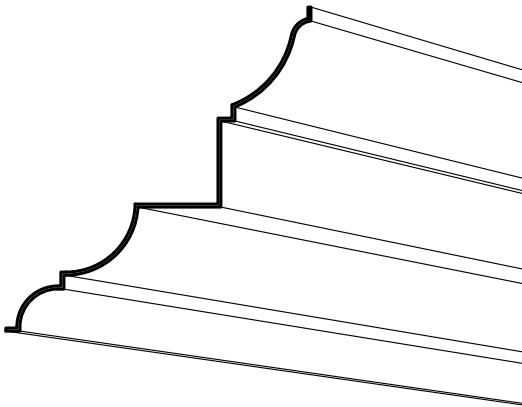
C-369

DEPTH: 2'-7 1/2"
HEIGHT: 2'-7 1/4"



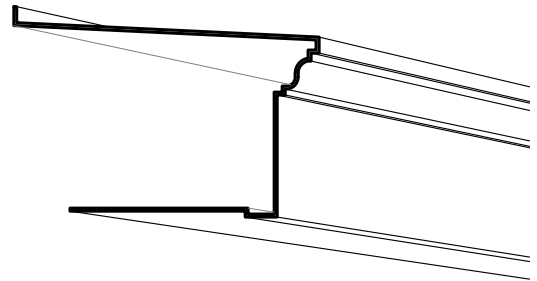
C-370

DEPTH: 1'-7 1/16"
HEIGHT: 1'-8 1/4"



C-371

DEPTH: 1'-7 1/16"
HEIGHT: 1'-1 1/8"



CORNICE

SHEET NO.

C-18

2025

PROFILES

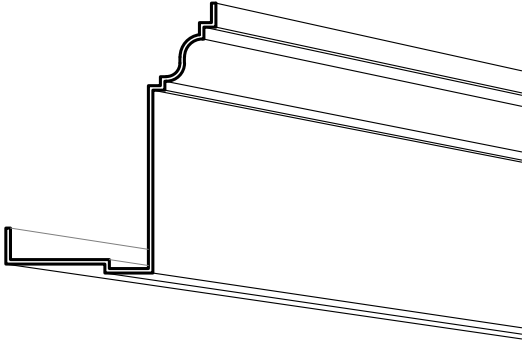


ARCHITECTURAL FIBERGLASS, INC.

8300 BESSEMER AVE., CLEVELAND, OHIO 44127-1839
(216) 641-8300 - FAX:(216) 641-8150
www.fiberglass-afi.com

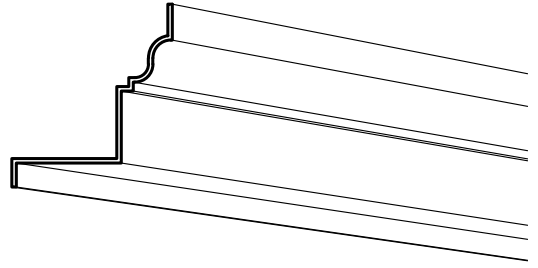
C-372

DEPTH: 8 3/4"
HEIGHT: 11 1/4"



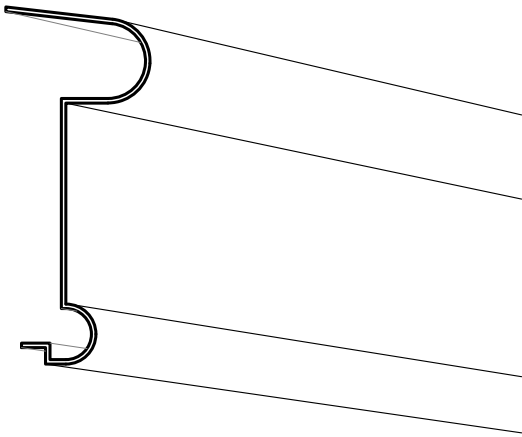
C-373

DEPTH: 6 11/16"
HEIGHT: 7 5/8"



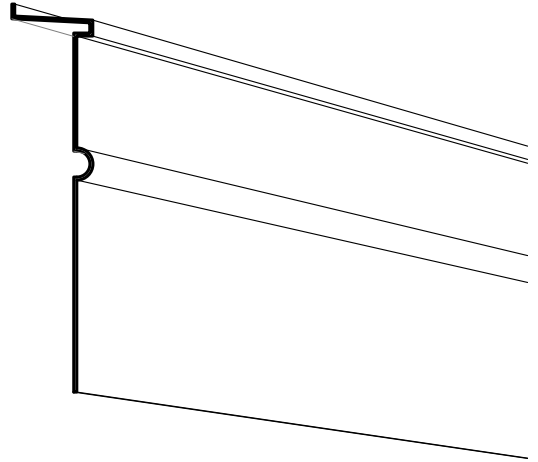
C-374

DEPTH: 6"
HEIGHT: 1'-2 7/8"



C-375

DEPTH: 5 1/16"
HEIGHT: 2'-0 1/4"



CORNICE

SHEET NO.

C-19

2025

PROFILES

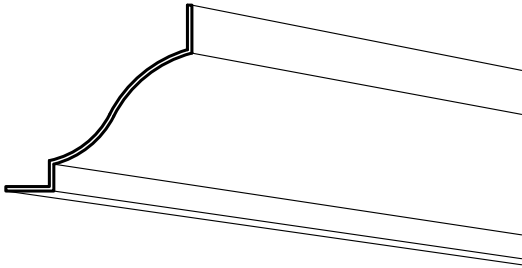


ARCHITECTURAL FIBERGLASS, INC.

8300 BESSEMER AVE., CLEVELAND, OHIO 44127-1839
(216) 641-8300 - FAX:(216) 641-8150
www.fiberglass-afi.com

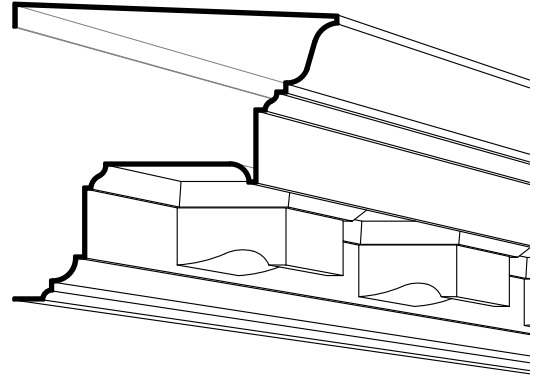
C-376

DEPTH: 7 3/4"
HEIGHT: 7 3/4"



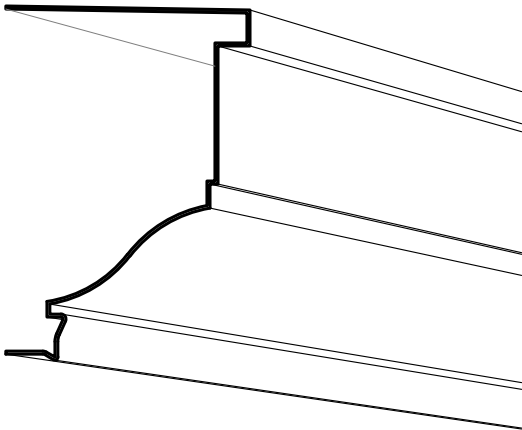
C-377

DEPTH: 2'-3"
HEIGHT: 2'-0 3/4"



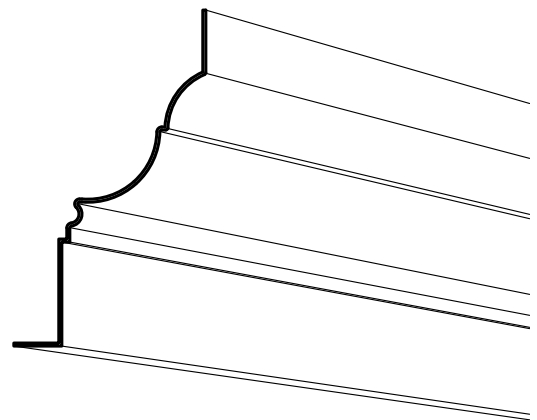
C-378

DEPTH: 1'-3 1/4"
HEIGHT: 1'-10 1/8"



C-379

DEPTH: 1'-0"
HEIGHT: 1'-9"



CORNICE

SHEET NO.

C-20

2025

PROFILES

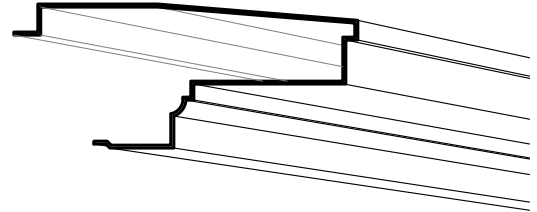


ARCHITECTURAL FIBERGLASS, INC.

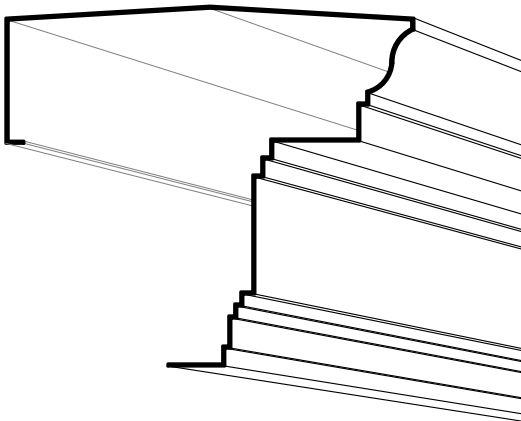
8300 BESSEMER AVE., CLEVELAND, OHIO 44127-1839
(216) 641-8300 - FAX:(216) 641-8150
www.fiberglass-afi.com

*C-380 IS
DISCONTINUED
AND REPLACED
WITH C-474*

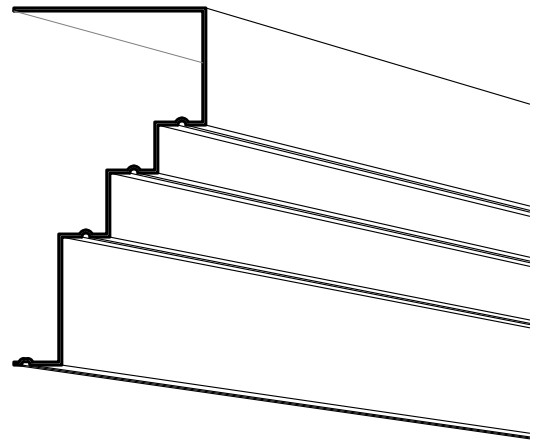
C-381
DEPTH: 1'-9 1/2"
HEIGHT: 9"



C-382
DEPTH: 2'-10"
HEIGHT: 2'-5"



C-383
DEPTH: 1'-0"
HEIGHT: 1'-10 5/16"



CORNICE

SHEET NO.

C-21

2025

PROFILES

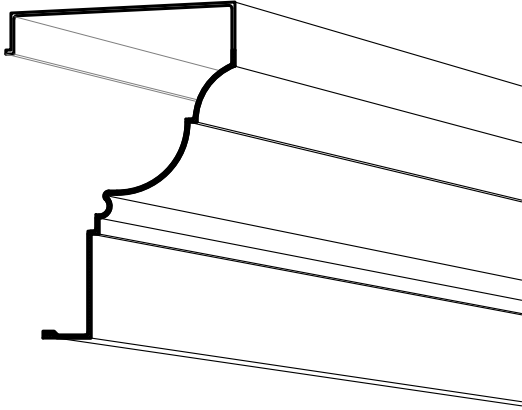


ARCHITECTURAL FIBERGLASS, INC.

8300 BESSEMER AVE., CLEVELAND, OHIO 44127-1839
(216) 641-8300 - FAX:(216) 641-8150
www.fiberglass-afi.com

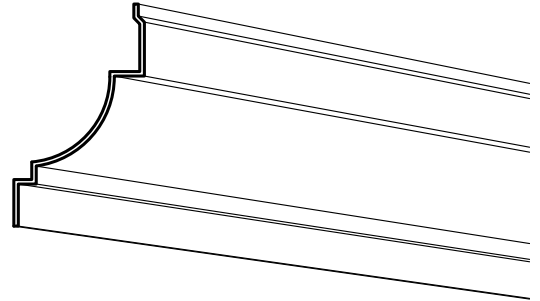
C-384

DEPTH: 1'-2"
HEIGHT: 1'-9"



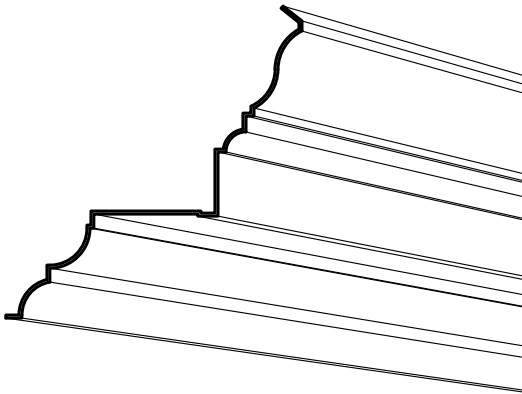
C-385

DEPTH: 5 7/16"
HEIGHT: 9 1/4"



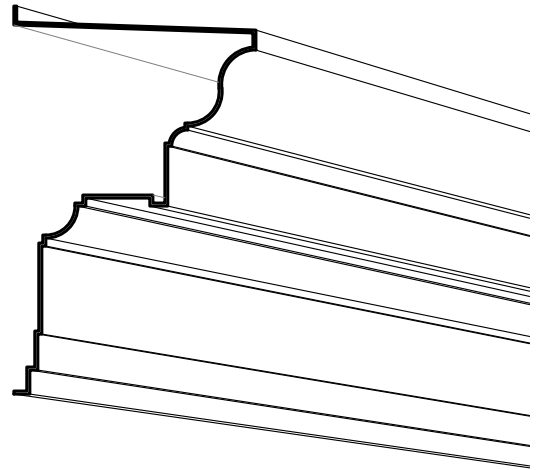
C-386

DEPTH: 1'-6 1/2"
HEIGHT: 1'-7 1/2"



C-387

DEPTH: 1'-3 1/8"
HEIGHT: 2'-0 1/4"



CORNICE

SHEET NO.

C-22

2025

PROFILES

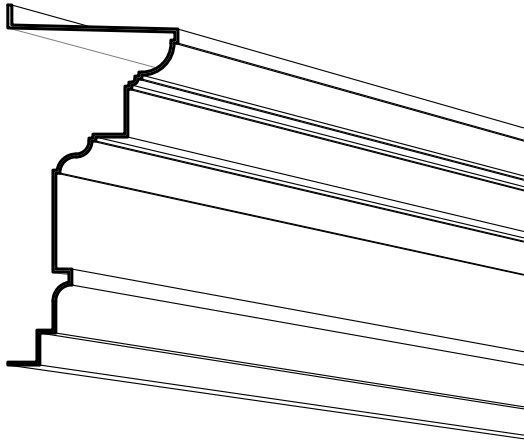


ARCHITECTURAL FIBERGLASS, INC.

8300 BESSEMER AVE., CLEVELAND, OHIO 44127-1839
(216) 641-8300 - FAX:(216) 641-8150
www.fiberglass-afi.com

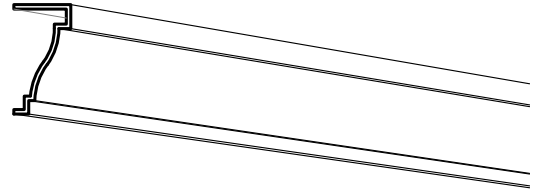
C-388

DEPTH: 10 5/8"
HEIGHT: 1'-10 1/2"



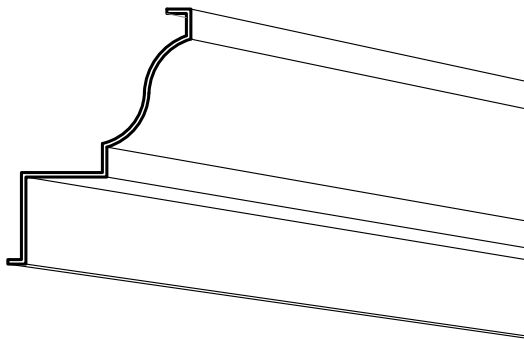
C-389

DEPTH: 2 3/8"
HEIGHT: 4 9/16"



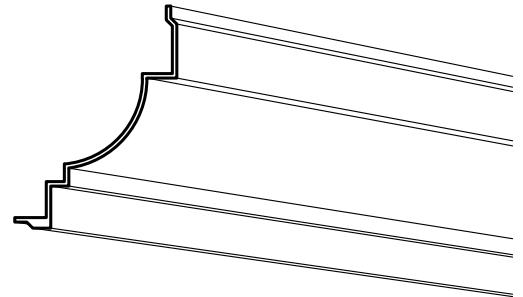
C-390

DEPTH: 7 5/8"
HEIGHT: 10 5/8"



C-391

DEPTH: 6 3/4"
HEIGHT: 9 1/4"



CORNICE

SHEET NO.

C-23

2025

PROFILES

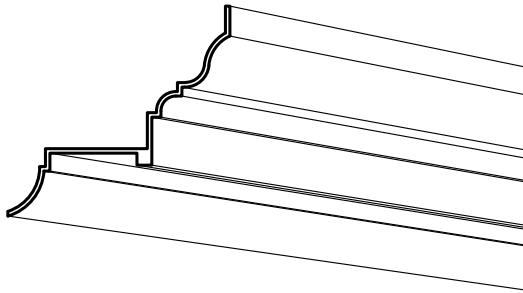


ARCHITECTURAL FIBERGLASS, INC.

8300 BESSEMER AVE., CLEVELAND, OHIO 44127-1839
(216) 641-8300 - FAX:(216) 641-8150
www.fiberglass-afi.com

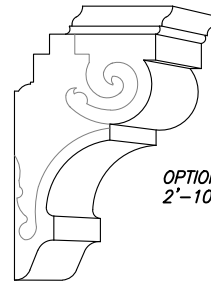
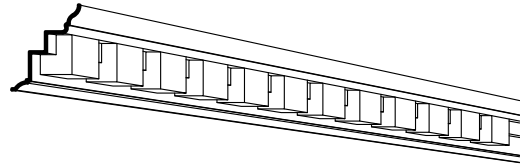
C-392

DEPTH: 9 1/4"
HEIGHT: 8 3/4"



C-393

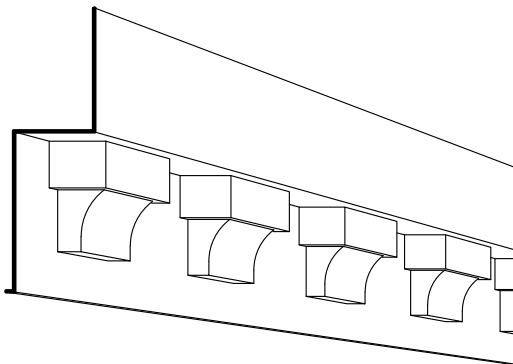
DEPTH: 8 1/2"
HEIGHT: 10 5/8"



OPTIONAL BRACKET
2'-10" H x 8" W x 1'-8" D

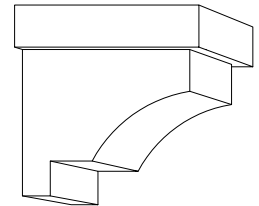
C-394

DEPTH: 11 1/8"
HEIGHT: 2'-11 1/2"

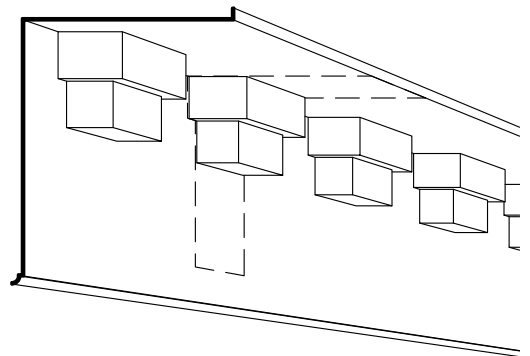


C-395

DEPTH: 2'-3 3/4"
HEIGHT: 2'-10 1/2"



OPTIONAL BRACKET
2'-3" H x 8" W x 2'-2 1/4" D



CORNICE

SHEET NO.

C-24

2025

PROFILES

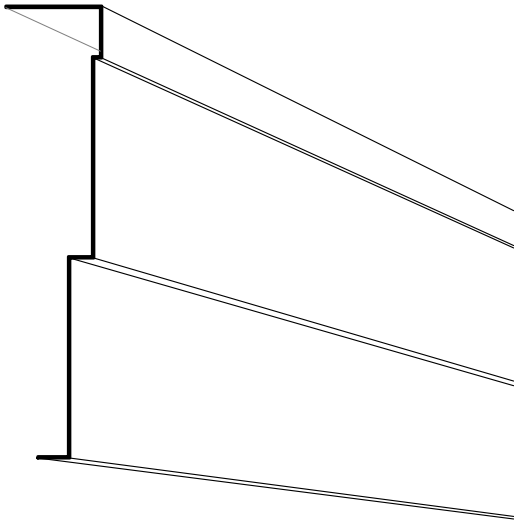


ARCHITECTURAL FIBERGLASS, INC.

8300 BESSEMER AVE., CLEVELAND, OHIO 44127-1839
(216) 641-8300 - FAX:(216) 641-8150
www.fiberglass-afi.com

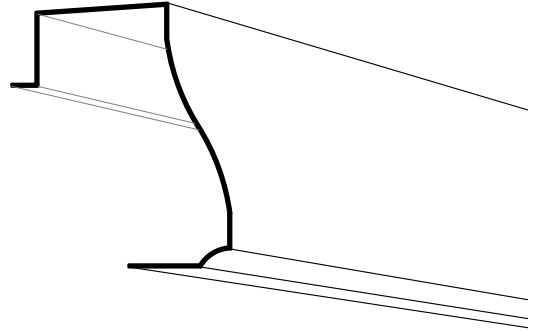
C-396

DEPTH: 1'-0"
HEIGHT: 4'-8 1/2"



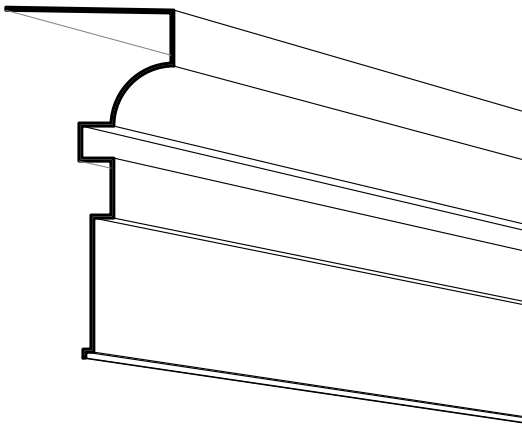
C-397

DEPTH: 1'-6 1/4"
HEIGHT: 1'-10"



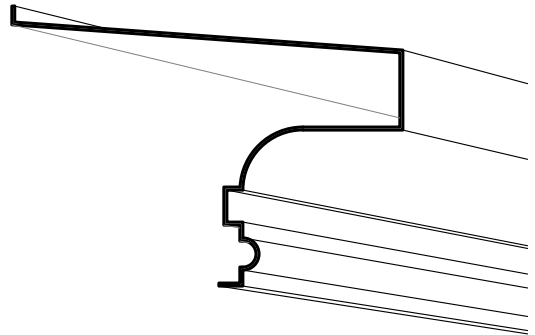
C-398

DEPTH: 10 1/2"
HEIGHT: 1'-9 15/16"



C-399

DEPTH: 2'-0 7/16"
HEIGHT: 1'-5 1/2"



CORNICE

SHEET NO.

C-25

2025

PROFILES

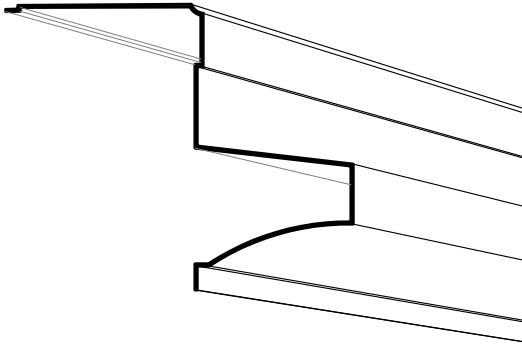


ARCHITECTURAL FIBERGLASS, INC.

8300 BESSEMER AVE., CLEVELAND, OHIO 44127-1839
(216) 641-8300 - FAX:(216) 641-8150
www.fiberglass-afi.com

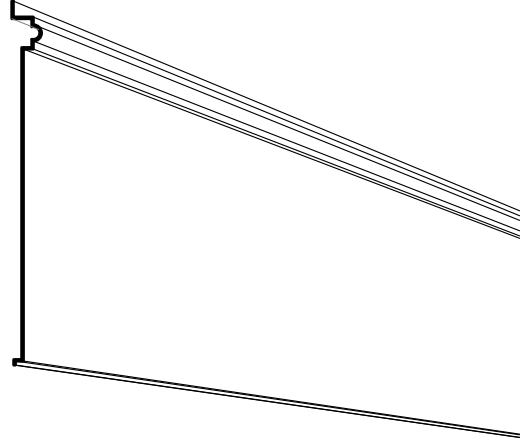
C-400

DEPTH: 2'-4 15/16"
HEIGHT: 1'-11 13/16"



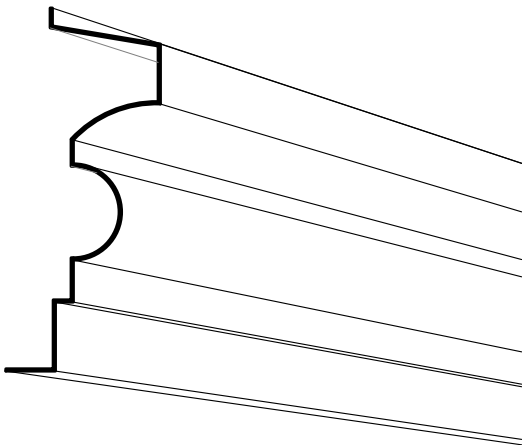
C-401

DEPTH: 3 11/16"
HEIGHT: 3'-9 1/2"



C-402

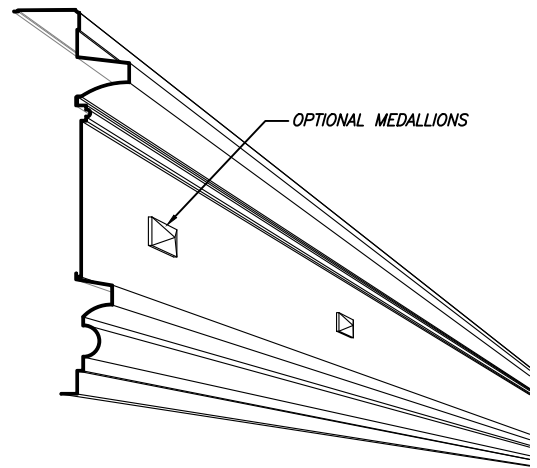
DEPTH: 1'-0 7/8"
HEIGHT: 2'-6 1/4"



C-403

DEPTH: 2'-4 15/16"
HEIGHT: 8'-0 1/8"

3-PIECE ASSEMBLY:
C-400, C-401, C-402



CORNICE

SHEET NO.

C-26

2025

PROFILES

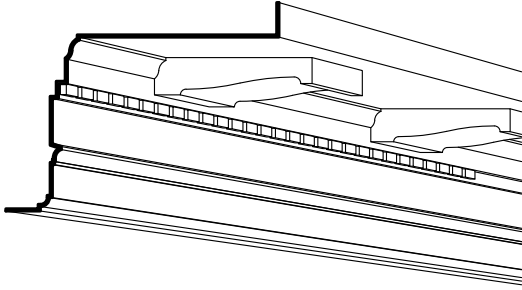


ARCHITECTURAL FIBERGLASS, INC.

8300 BESSEMER AVE., CLEVELAND, OHIO 44127-1839
(216) 641-8300 - FAX:(216) 641-8150
www.fiberglass-afi.com

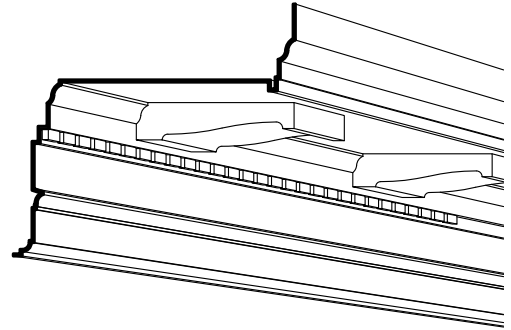
C-404

DEPTH: 1'-10 3/4"
HEIGHT: 1'-5 3/8"



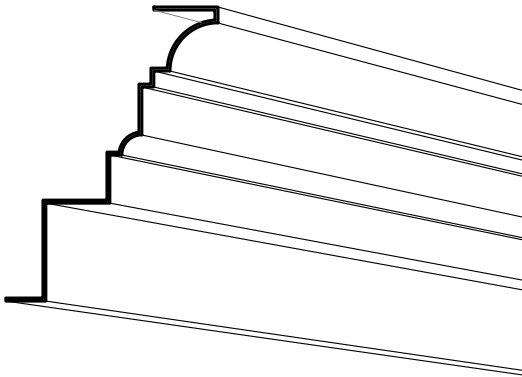
C-405

DEPTH: 1'-11 1/2"
HEIGHT: 1'-9"



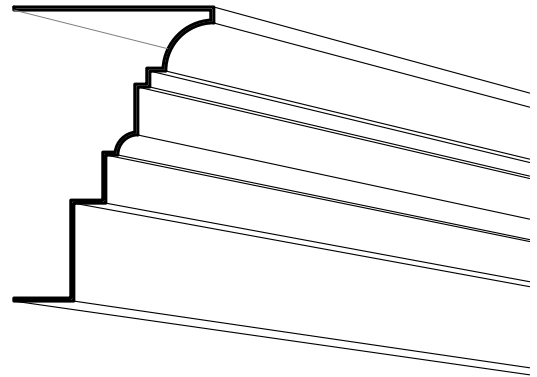
C-406

DEPTH: 1'-1 1/4"
HEIGHT: 1'-6 3/8"



C-407

DEPTH: 1'-0 1/2"
HEIGHT: 1'-6 3/8"



CORNICE

SHEET NO.

C-27

2025

PROFILES

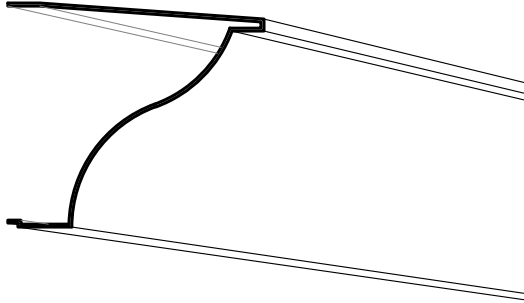


ARCHITECTURAL FIBERGLASS, INC.

8300 BESSEMER AVE., CLEVELAND, OHIO 44127-1839
(216) 641-8300 - FAX:(216) 641-8150
www.fiberglass-afi.com

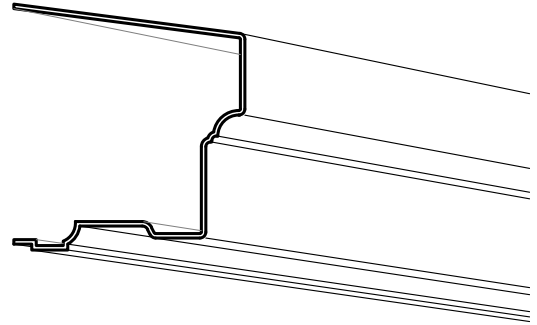
C-408

DEPTH: 1'-4"
HEIGHT: 1'-2"



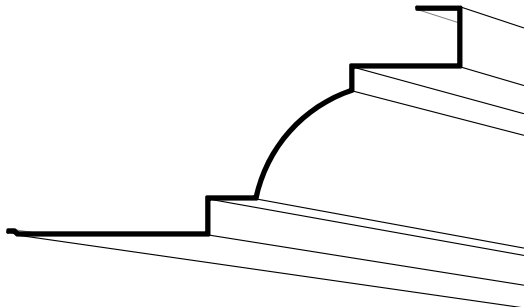
C-409

DEPTH: 9 5/8"
HEIGHT: 10 1/4"



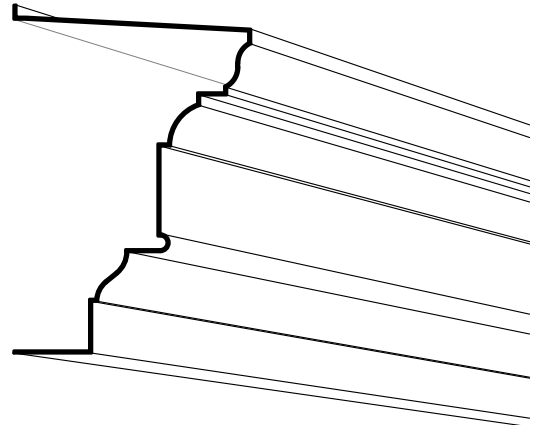
C-410

DEPTH: 3'-1 3/4"
HEIGHT: 1'-7"



C-411

DEPTH: 1'-7 3/4"
HEIGHT: 2'-5"



CORNICE

SHEET NO.

C-28

2025

PROFILES

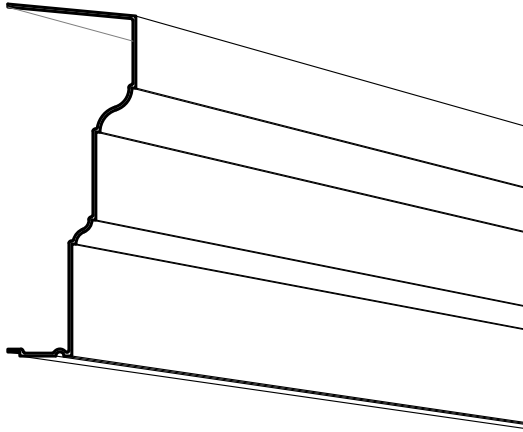


ARCHITECTURAL FIBERGLASS, INC.

8300 BESSEMER AVE., CLEVELAND, OHIO 44127-1839
(216) 641-8300 - FAX:(216) 641-8150
www.fiberglass-afi.com

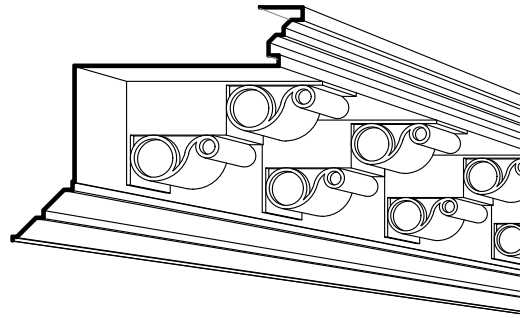
C-412

DEPTH: 8"
HEIGHT: 1'-10"



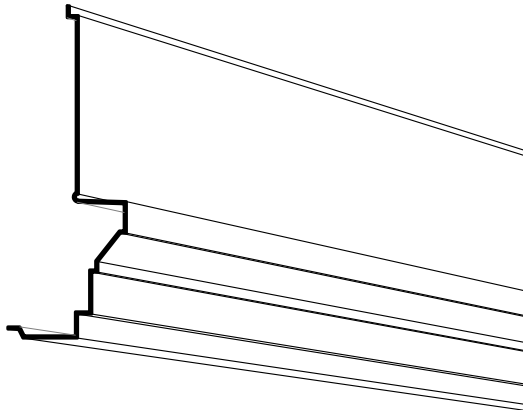
C-413

DEPTH: 3'-0 7/16"
HEIGHT: 2'-5 5/16"



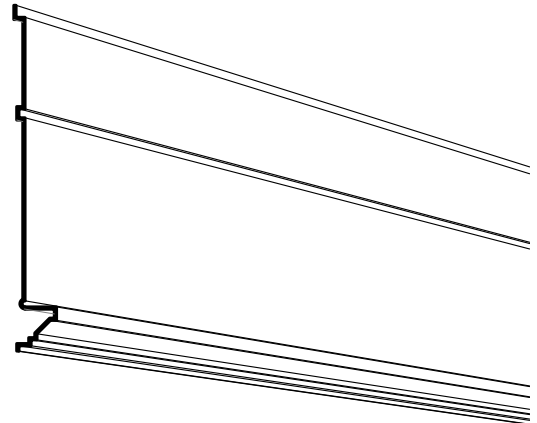
C-414

DEPTH: 9 7/8"
HEIGHT: 2'-3 11/16"



C-415

DEPTH: 3 9/16"
HEIGHT: 2'-4 13/16"



CORNICE

SHEET NO.

C-29

2025

PROFILES



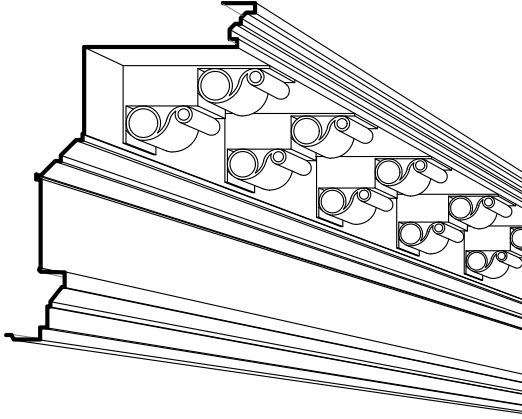
ARCHITECTURAL FIBERGLASS, INC.

8300 BESSEMER AVE., CLEVELAND, OHIO 44127-1839
(216) 641-8300 - FAX:(216) 641-8150
www.fiberglass-afi.com

C-416

DEPTH: 3'-5 5/8"
HEIGHT: 4'-8 1/4"

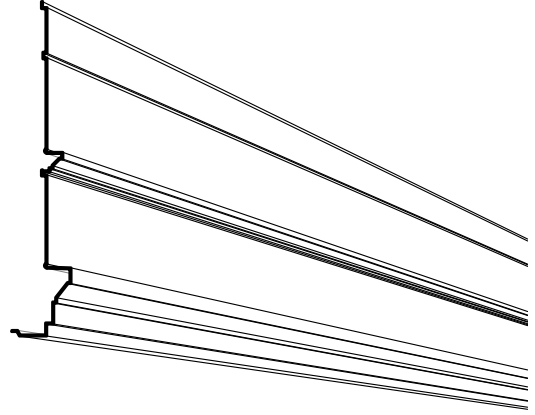
2-PIECE ASSEMBLY:
C-413, C-414



C-417

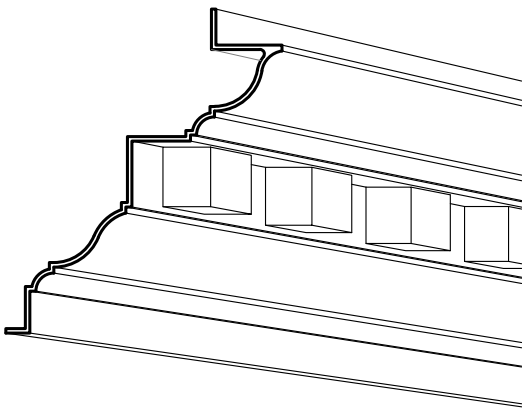
DEPTH: 9 7/8"
HEIGHT: 4'-7 3/4"

2-PIECE ASSEMBLY:
C-414, C-415



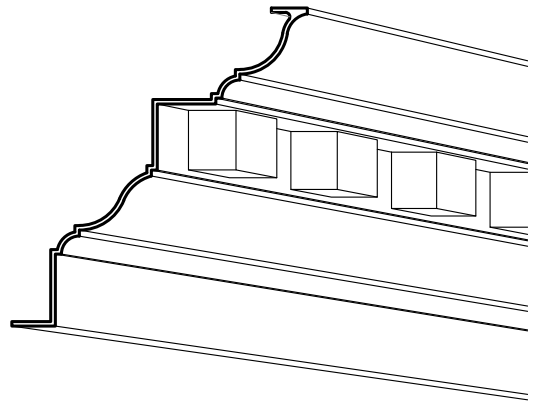
C-418

DEPTH: 11 1/2"
HEIGHT: 1'-1 1/2"



C-419

DEPTH: 1'-0 5/16"
HEIGHT: 1'-1 1/4"



CORNICE

SHEET NO.

C-30

2025

PROFILES

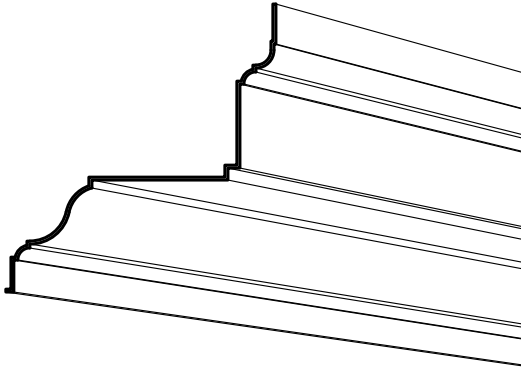


ARCHITECTURAL FIBERGLASS, INC.

8300 BESSEMER AVE., CLEVELAND, OHIO 44127-1839
(216) 641-8300 - FAX:(216) 641-8150
www.fiberglass-afi.com

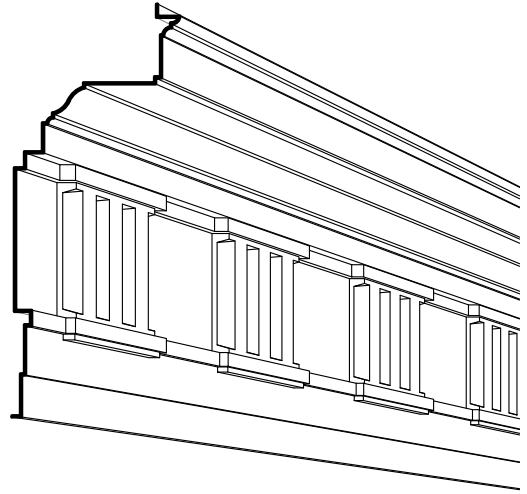
C-420

DEPTH: 1'-4 7/8"
HEIGHT: 1'-6"



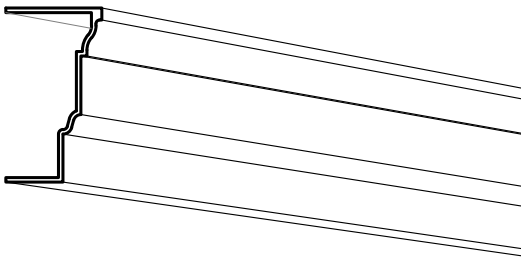
C-421

DEPTH: 1'-9"
HEIGHT: 4'-3 5/8"



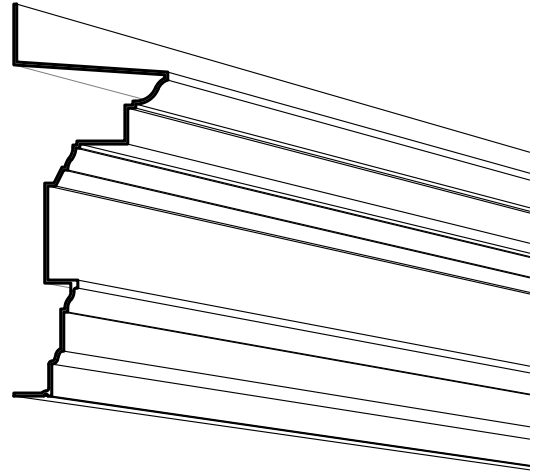
C-422

DEPTH: 4"
HEIGHT: 7 1/4"



C-423

DEPTH: 9 5/8"
HEIGHT: 2'-0 1/2"



CORNICE

SHEET NO.

C-31

2025

PROFILES

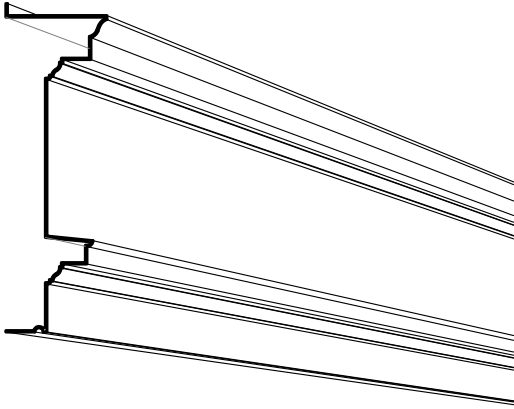


ARCHITECTURAL FIBERGLASS, INC.

8300 BESSEMER AVE., CLEVELAND, OHIO 44127-1839
(216) 641-8300 - FAX:(216) 641-8150
www.fiberglass-afi.com

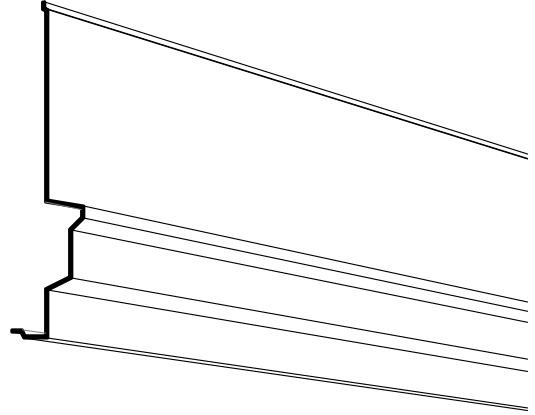
C-424

DEPTH: 1'-0 5/8"
HEIGHT: 3'-5 1/16"



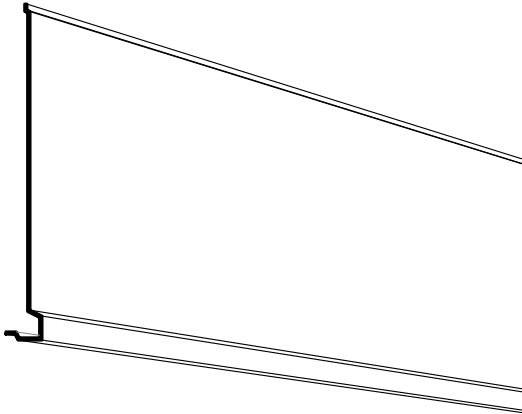
C-425

DEPTH: 6"
HEIGHT: 2'-4"



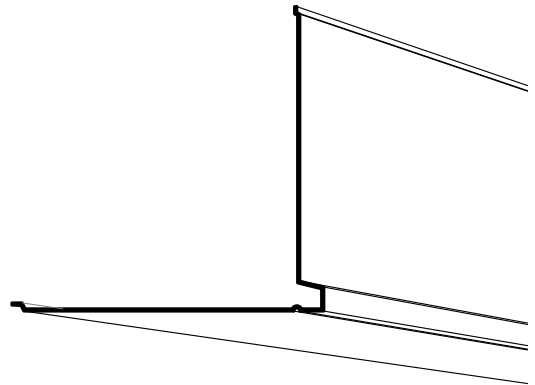
C-426

DEPTH: 3"
HEIGHT: 2'-4"



C-427

DEPTH: 2'-2"
HEIGHT: 2'-1 3/8"



CORNICE

SHEET NO.

C-32

2025

PROFILES

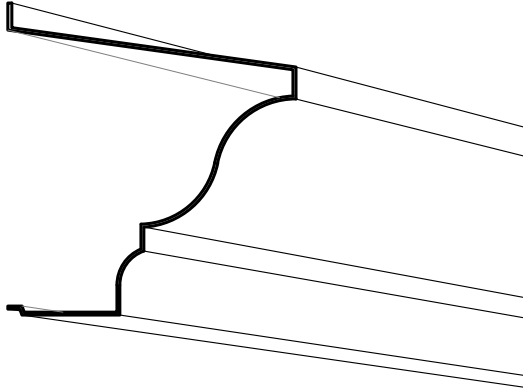


ARCHITECTURAL FIBERGLASS, INC.

8300 BESSEMER AVE., CLEVELAND, OHIO 44127-1839
(216) 641-8300 - FAX:(216) 641-8150
www.fiberglass-afi.com

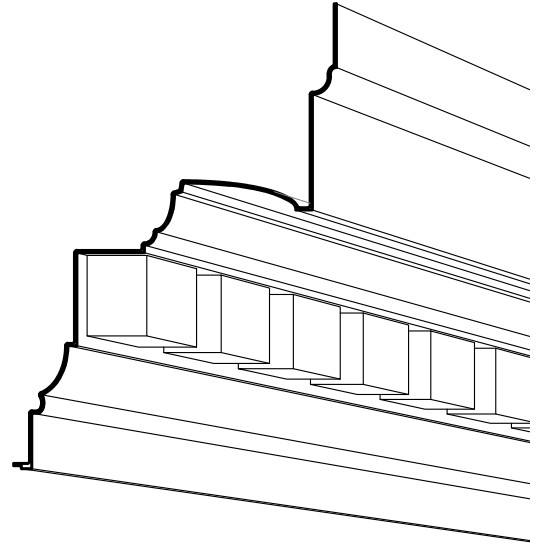
C-428

DEPTH: 1'-6"
HEIGHT: 1'-7 1/2"



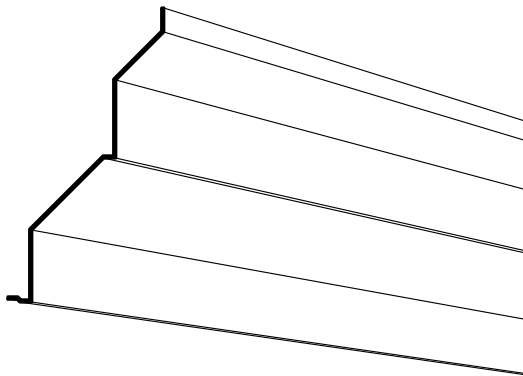
C-429

DEPTH: 2'-2 7/8"
HEIGHT: 3'-2 3/4"



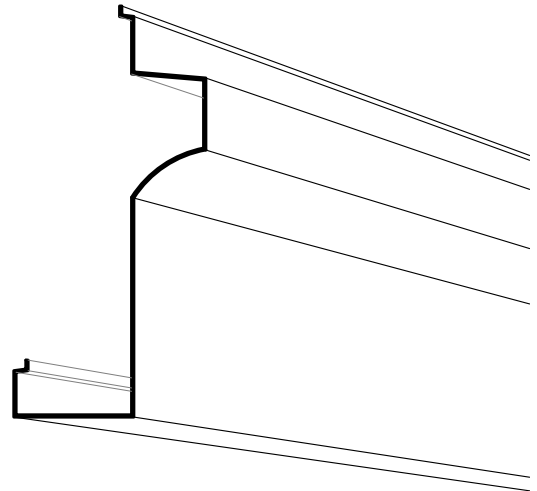
C-430

DEPTH: 1'-1"
HEIGHT: 2'-0 1/2"



C-431

DEPTH: 1'-4"
HEIGHT: 2'-10 1/4"



CORNICE

SHEET NO.

C-33

2025

PROFILES

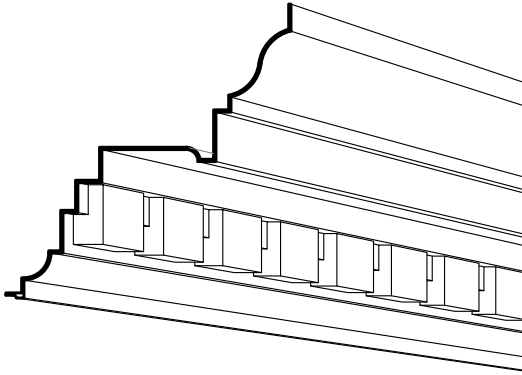


ARCHITECTURAL FIBERGLASS, INC.

8300 BESSEMER AVE., CLEVELAND, OHIO 44127-1839
(216) 641-8300 - FAX:(216) 641-8150
www.fiberglass-afi.com

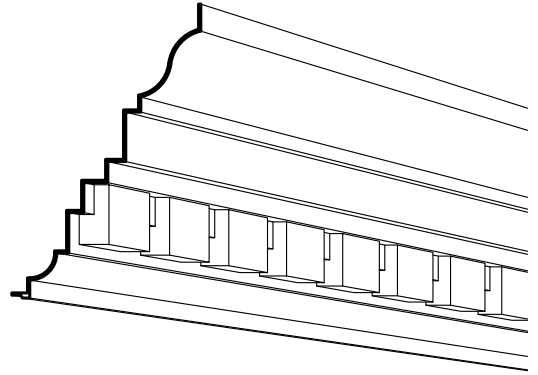
C-432

DEPTH: 1'-11 3/4"
HEIGHT: 2'-0 1/2"



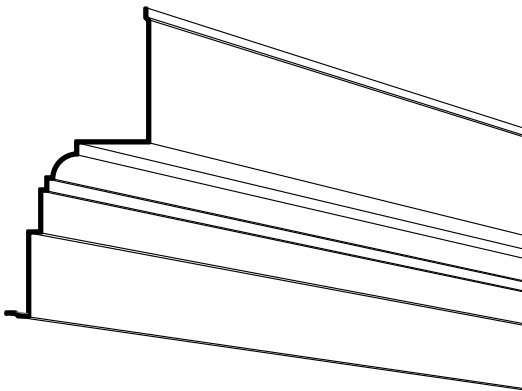
C-433

DEPTH: 1'-3 3/4"
HEIGHT: 2'-0 1/2"



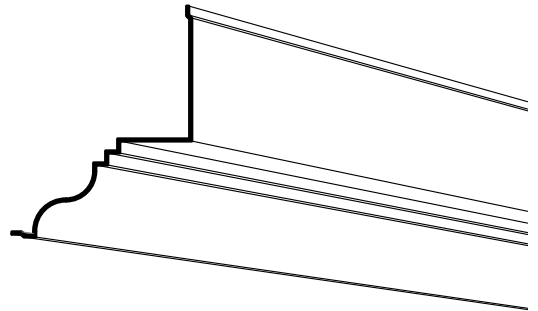
C-434

DEPTH: 1'-0"
HEIGHT: 2'-1 3/4"



C-435

DEPTH: 1'-3"
HEIGHT: 1'-7 1/4"



CORNICE

SHEET NO.

C-34

2025

PROFILES

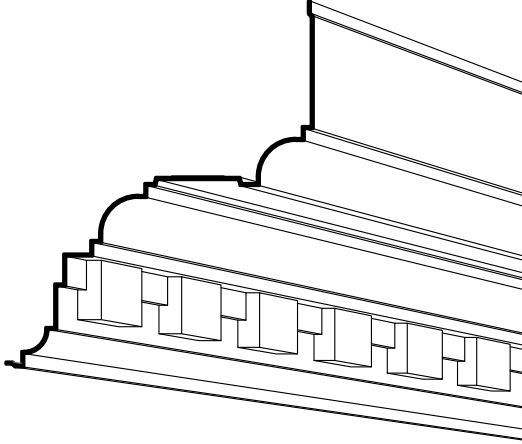


ARCHITECTURAL FIBERGLASS, INC.

8300 BESSEMER AVE., CLEVELAND, OHIO 44127-1839
(216) 641-8300 - FAX:(216) 641-8150
www.fiberglass-afi.com

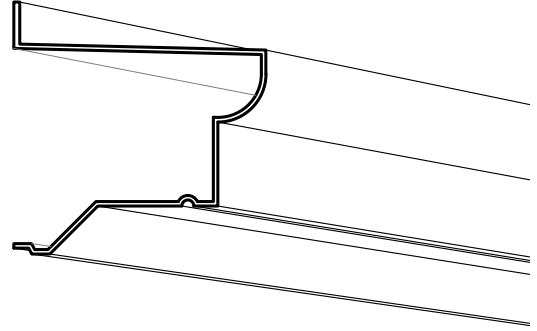
C-436

DEPTH: 2'-1 5/8"
HEIGHT: 2'-6 1/2"



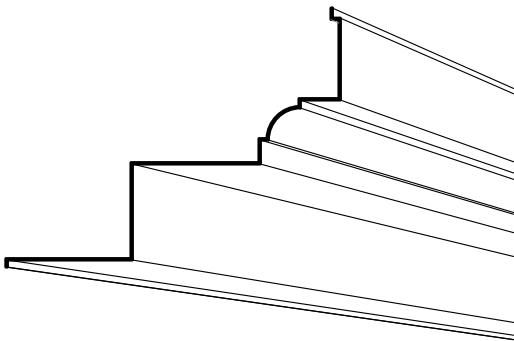
C-437

DEPTH: 10 1/2"
HEIGHT: 10 1/2"



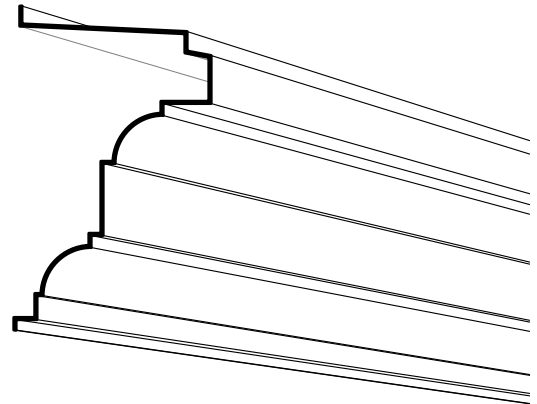
C-438

DEPTH: 3'-5 13/16"
HEIGHT: 2'-8 3/8"



C-439

DEPTH: 1'-4 7/16"
HEIGHT: 2'-3"



CORNICE

SHEET NO.

C-35

2025

PROFILES

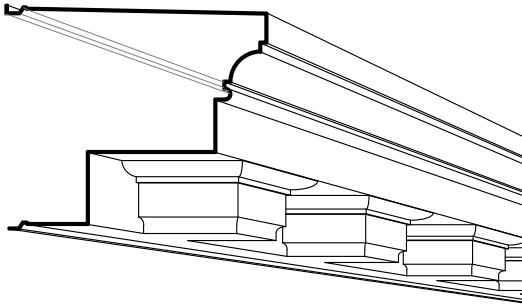


ARCHITECTURAL FIBERGLASS, INC.

8300 BESSEMER AVE., CLEVELAND, OHIO 44127-1839
(216) 641-8300 - FAX:(216) 641-8150
www.fiberglass-afi.com

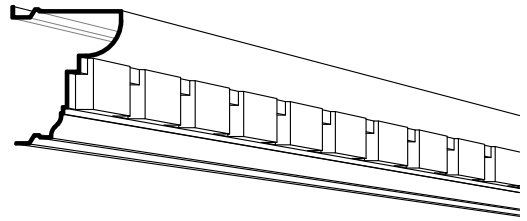
C-440

DEPTH: 3'-7 1/2"
HEIGHT: 3'-1 5/16"



C-441

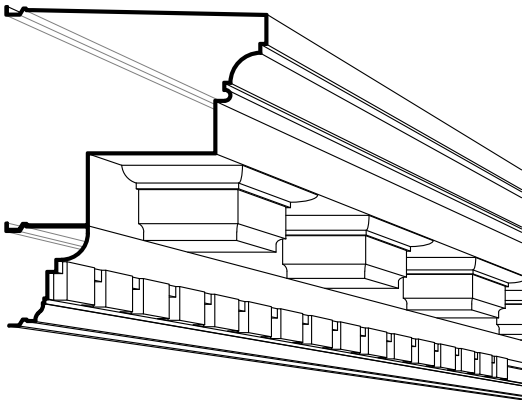
DEPTH: 1'-1 3/4"
HEIGHT: 1'-5 3/16"



C-442

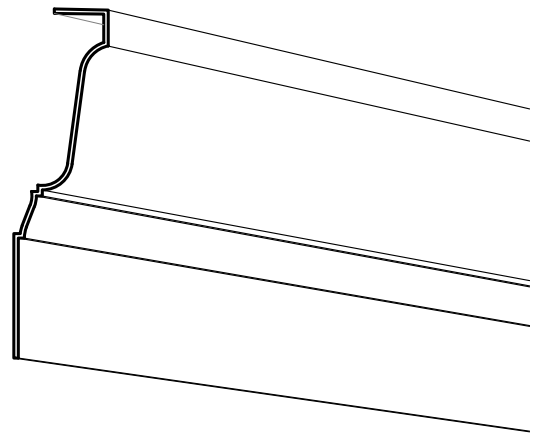
DEPTH: 3'-7 1/2"
HEIGHT: 4'-5 1/4"

2-PIECE ASSEMBLY:
C-440, C-441



C-443

DEPTH: 3 3/4"
HEIGHT: 1'-2 1/2"



CORNICE

SHEET NO.

C-36

2025

PROFILES

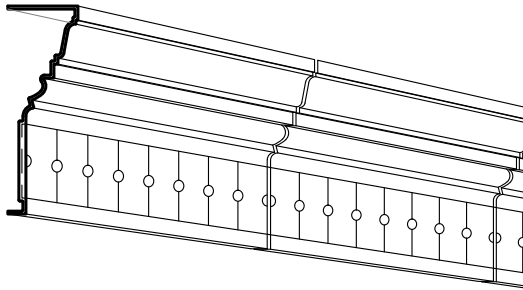
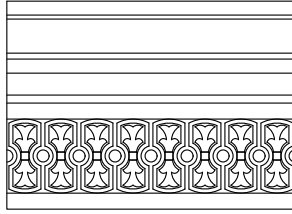


ARCHITECTURAL FIBERGLASS, INC.

8300 BESSEMER AVE., CLEVELAND, OHIO 44127-1839
(216) 641-8300 - FAX:(216) 641-8150
www.fiberglass-afi.com

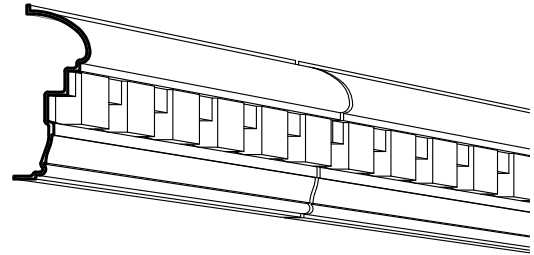
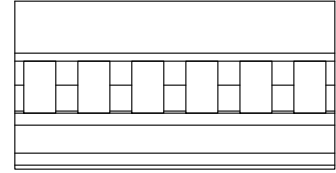
C-444

DEPTH: 4 3/8"
HEIGHT: 1'-1"



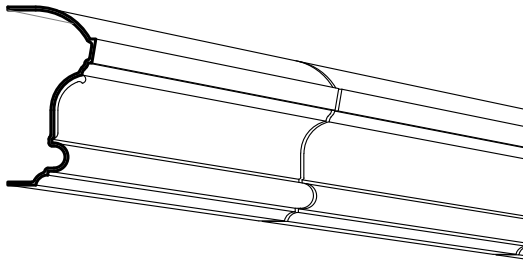
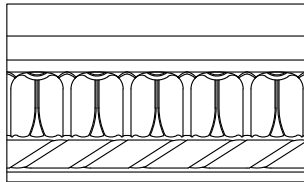
C-445

DEPTH: 4 3/4"
HEIGHT: 10 1/2"



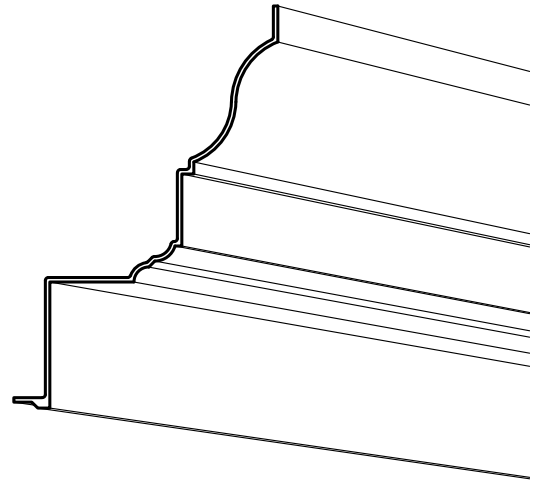
C-446

DEPTH: 5 1/2"
HEIGHT: 11 1/8"



C-447

DEPTH: 11"
HEIGHT: 1'-4 3/4"



CORNICE

SHEET NO.

C-37

2025

PROFILES

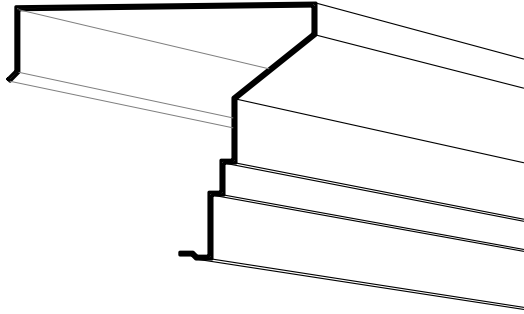


ARCHITECTURAL FIBERGLASS, INC.

8300 BESSEMER AVE., CLEVELAND, OHIO 44127-1839
(216) 641-8300 - FAX:(216) 641-8150
www.fiberglass-afi.com

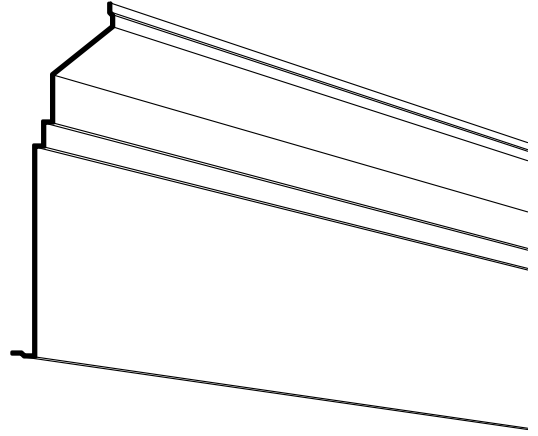
C-448

DEPTH: 1'-6 3/4"
HEIGHT: 1'-4"



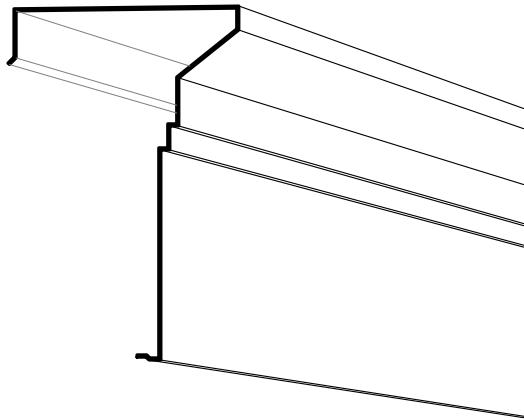
C-449

DEPTH: 8 1/2"
HEIGHT: 2'-5 1/2"



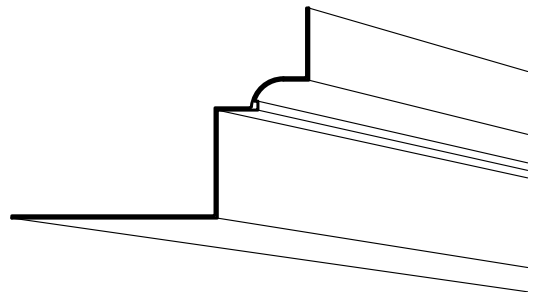
C-450

DEPTH: 1'-6 3/4"
HEIGHT: 2'-5 1/2"



C-451

DEPTH: 2'-0 3/4"
HEIGHT: 1'-5 1/2"



CORNICE

SHEET NO.

C-38

2025

PROFILES

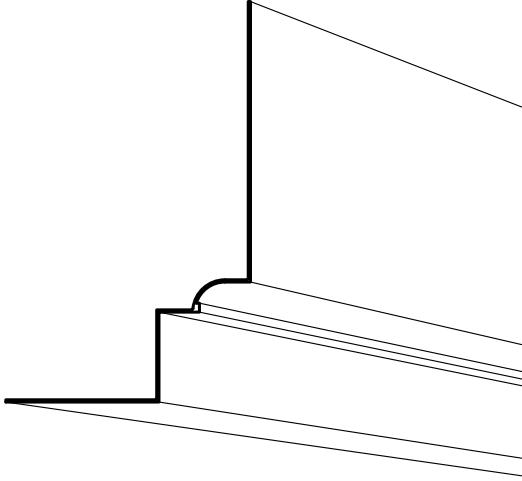


ARCHITECTURAL FIBERGLASS, INC.

8300 BESSEMER AVE., CLEVELAND, OHIO 44127-1839
(216) 641-8300 - FAX:(216) 641-8150
www.fiberglass-afi.com

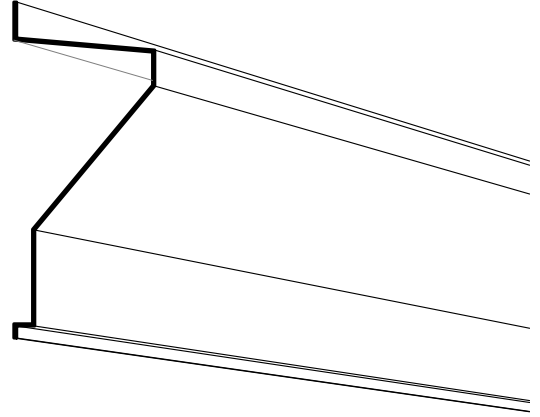
C-452

DEPTH: 1'-8 3/8"
HEIGHT: 2'-9 3/8"



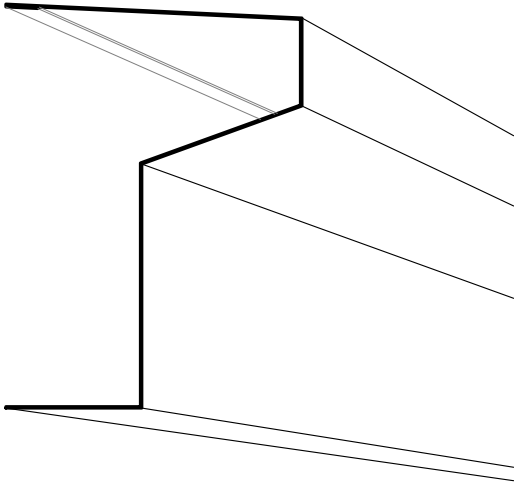
C-453

DEPTH: 11 3/4"
HEIGHT: 2'-4"



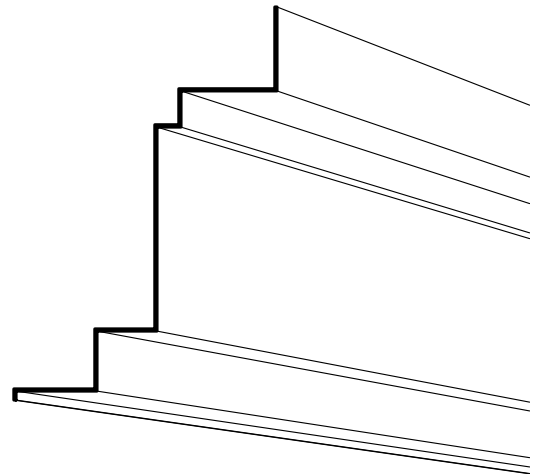
C-454

DEPTH: 3'-1"
HEIGHT: 4'-2 1/2"



C-455

DEPTH: 1'-10"
HEIGHT: 2'-8 3/4"



CORNICE

SHEET NO.

C-39

2025

PROFILES

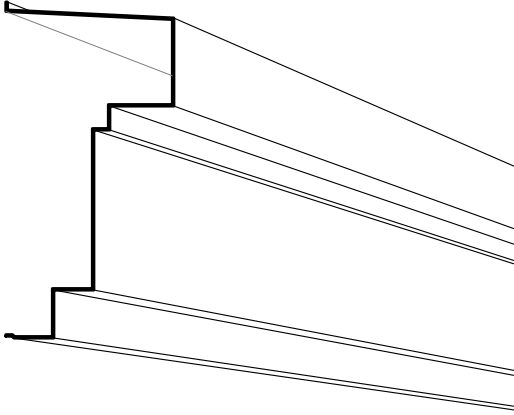


ARCHITECTURAL FIBERGLASS, INC.

8300 BESSEMER AVE., CLEVELAND, OHIO 44127-1839
(216) 641-8300 - FAX:(216) 641-8150
www.fiberglass-afi.com

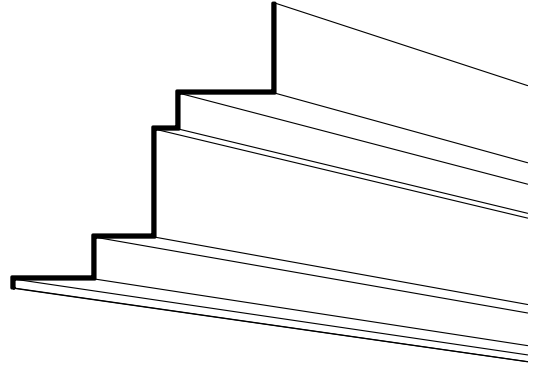
C-456

DEPTH: 1'-9"
HEIGHT: 3'-6"



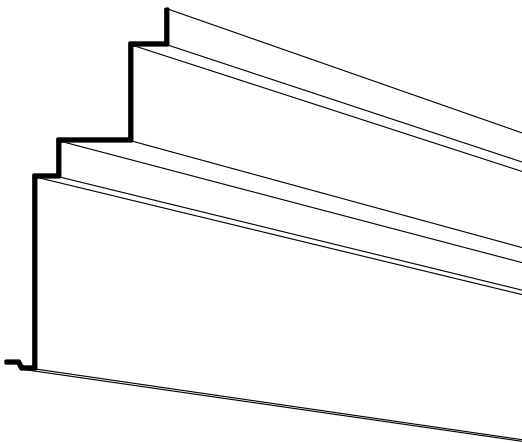
C-457

DEPTH: 1'-10"
HEIGHT: 1'-11 3/4"



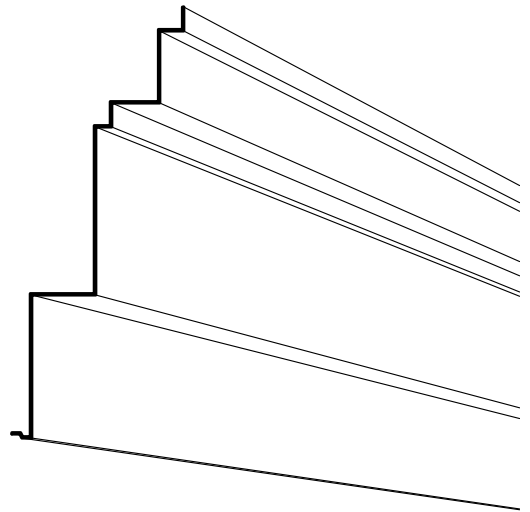
C-458

DEPTH: 1'-1 1/2"
HEIGHT: 2'-6"



C-459

DEPTH: 1'-9 1/2"
HEIGHT: 4'-5 7/8"



CORNICE

SHEET NO.

C-40

2025

PROFILES

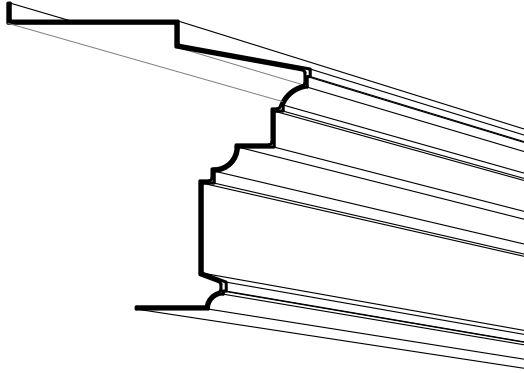


ARCHITECTURAL FIBERGLASS, INC.

8300 BESSEMER AVE., CLEVELAND, OHIO 44127-1839
(216) 641-8300 - FAX:(216) 641-8150
www.fiberglass-afi.com

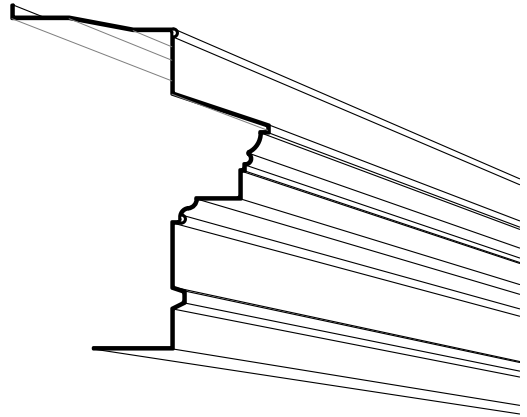
C-460

DEPTH: 2'-1"
HEIGHT: 2'-1 1/2"



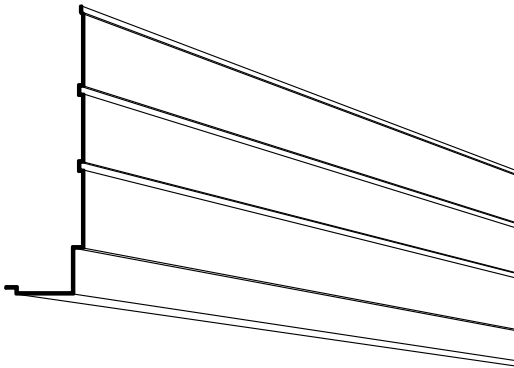
C-461

DEPTH: 2'-8"
HEIGHT: 3'-7"



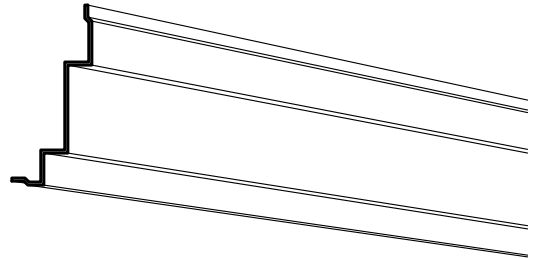
C-462

DEPTH: 9 3/4"
HEIGHT: 3'-0"



C-463

DEPTH: 5"
HEIGHT: 11 1/4"



CORNICE

SHEET NO.

C-41

2025

PROFILES

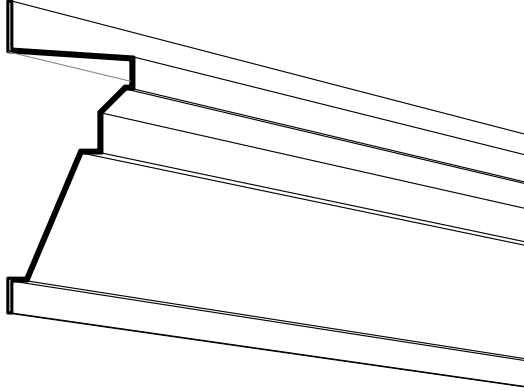


ARCHITECTURAL FIBERGLASS, INC.

8300 BESSEMER AVE., CLEVELAND, OHIO 44127-1839
(216) 641-8300 - FAX:(216) 641-8150
www.fiberglass-afi.com

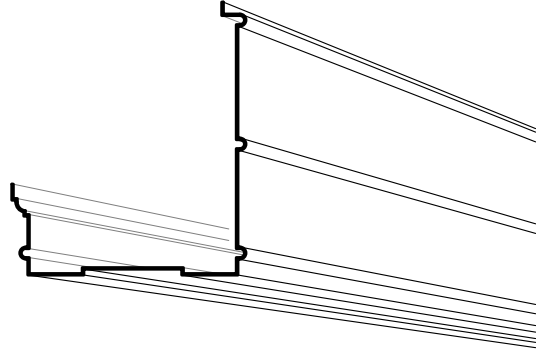
C-464

DEPTH: 7 7/8"
HEIGHT: 1'-7 1/2"



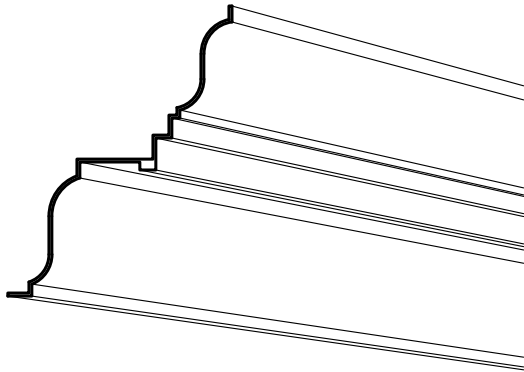
C-465

DEPTH: 2'-5 1/4"
HEIGHT: 2'-10 1/8"



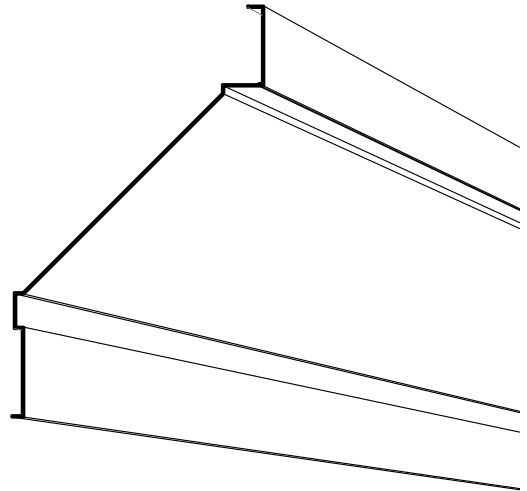
C-466

DEPTH: 1'-2"
HEIGHT: 1'-6 1/8"



C-467

DEPTH: 2'-7 1/2"
HEIGHT: 4'-3 3/8"



CORNICE

SHEET NO.

C-42

2025

PROFILES

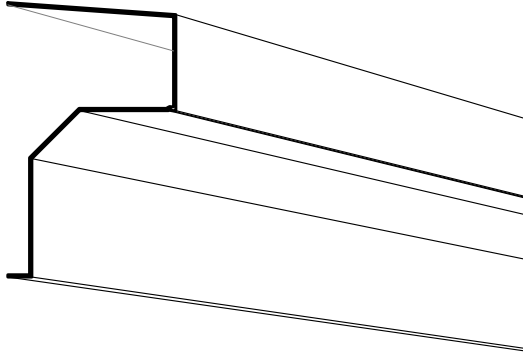


ARCHITECTURAL FIBERGLASS, INC.

8300 BESSEMER AVE., CLEVELAND, OHIO 44127-1839
(216) 641-8300 - FAX:(216) 641-8150
www.fiberglass-afi.com

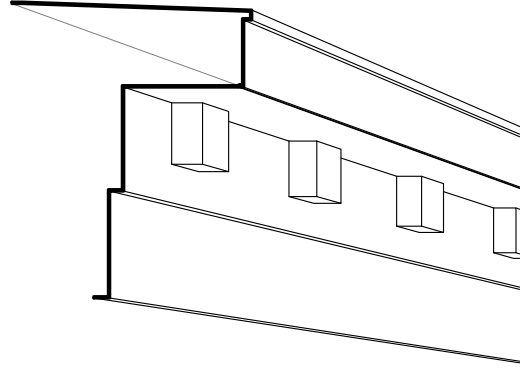
C-468

DEPTH: 1'-2"
HEIGHT: 1'-10 7/8"



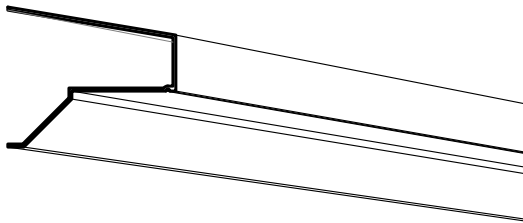
C-469

DEPTH: 2'-6"
HEIGHT: 3'-1"



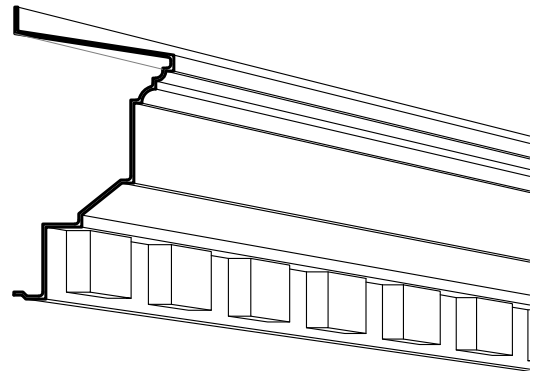
C-470

DEPTH: 10 1/2"
HEIGHT: 8 3/4"



C-471

DEPTH: 9 3/4"
HEIGHT: 1'-6 1/4"



CORNICE

SHEET NO.

C-43

2025

PROFILES

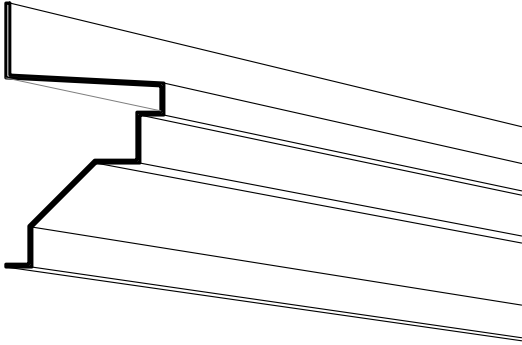


ARCHITECTURAL FIBERGLASS, INC.

8300 BESSEMER AVE., CLEVELAND, OHIO 44127-1839
(216) 641-8300 - FAX:(216) 641-8150
www.fiberglass-afi.com

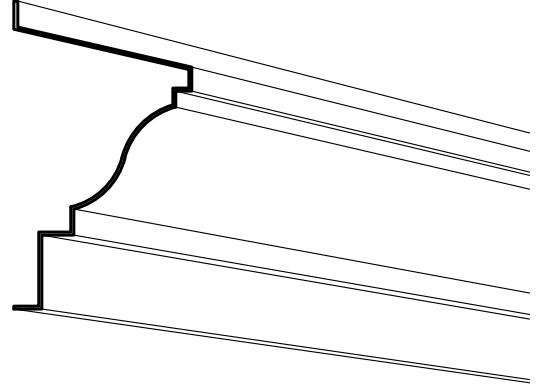
C-472

DEPTH: 9 7/8"
HEIGHT: 1'-4 1/2"



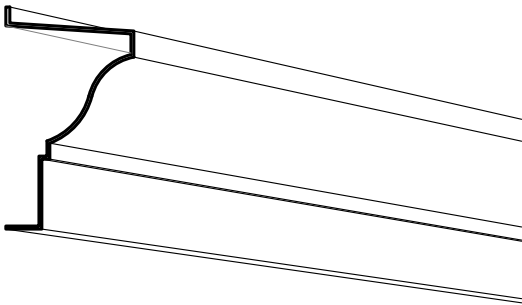
C-473

DEPTH: 11 1/8"
HEIGHT: 1'-7 1/4"



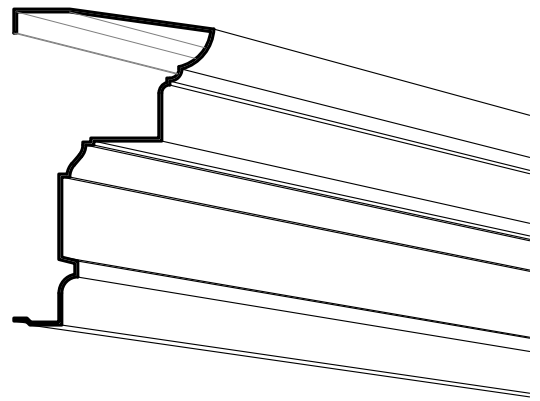
C-474

DEPTH: 8"
HEIGHT: 1'-1 7/8"



C-475

DEPTH: 1'-0 1/2"
HEIGHT: 1'-7 3/4"



CORNICE

SHEET NO.

C-44

2025

PROFILES

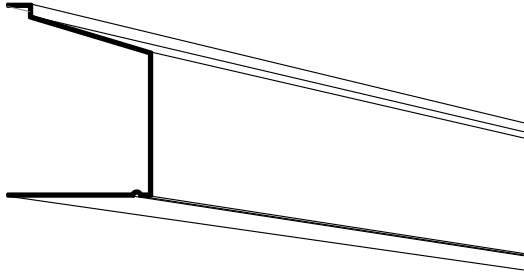


ARCHITECTURAL FIBERGLASS, INC.

8300 BESSEMER AVE., CLEVELAND, OHIO 44127-1839
(216) 641-8300 - FAX:(216) 641-8150
www.fiberglass-afi.com

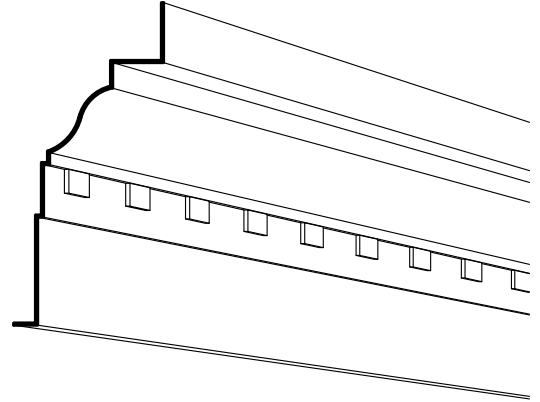
C-476

DEPTH: 1'-0"
HEIGHT: 1'-4"



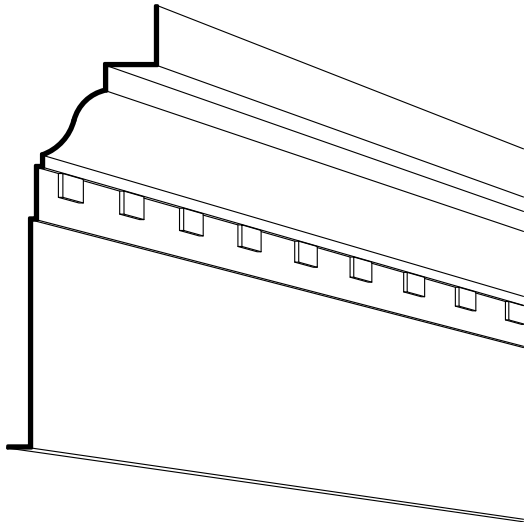
C-477

DEPTH: 1'-0 1/2"
HEIGHT: 2'-2 7/8"



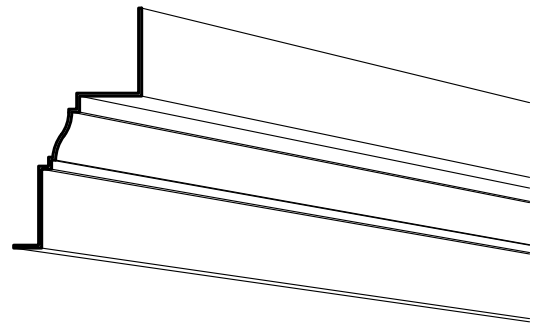
C-478

DEPTH: 1'-0 1/2"
HEIGHT: 3'-0 7/8"



C-479

DEPTH: 8"
HEIGHT: 1'-3"



CORNICE

SHEET NO.

C-45

2025

PROFILES



ARCHITECTURAL FIBERGLASS, INC.

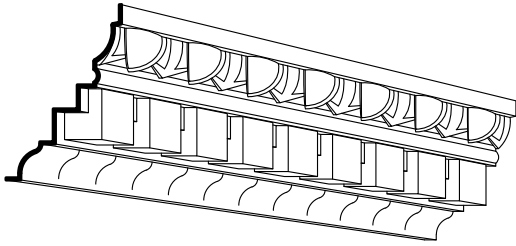
8300 BESSEMER AVE., CLEVELAND, OHIO 44127-1839
(216) 641-8300 - FAX:(216) 641-8150
www.fiberglass-afi.com

C-480

DEPTH: 9 5/8"
HEIGHT: 1'-2 5/8"

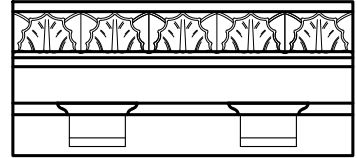


ELEVATION

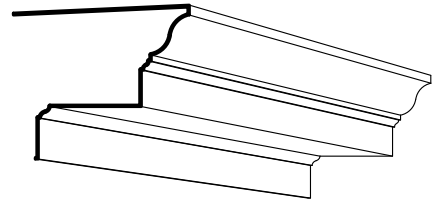


C-481

DEPTH: 1'-10"
HEIGHT: 1'-7 1/4"

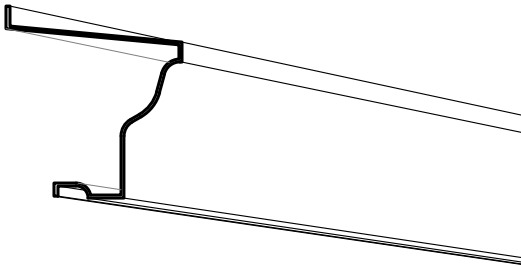


OPTIONAL BRACKETS



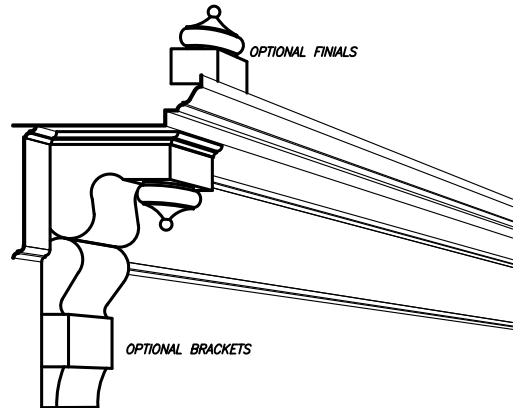
C-482

DEPTH: 11"
HEIGHT: 1'-0"



C-483

DEPTH: 2'-7 1/2"
HEIGHT: 2'-6 1/2"



CORNICE

SHEET NO.

C-46

2025

PROFILES

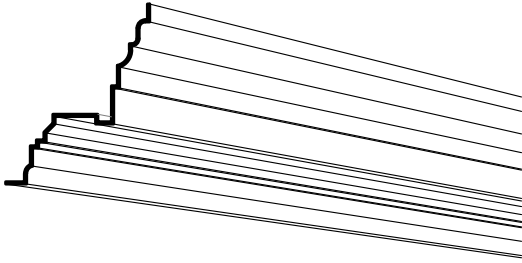


ARCHITECTURAL FIBERGLASS, INC.

8300 BESSEMER AVE., CLEVELAND, OHIO 44127-1839
(216) 641-8300 - FAX:(216) 641-8150
www.fiberglass-afi.com

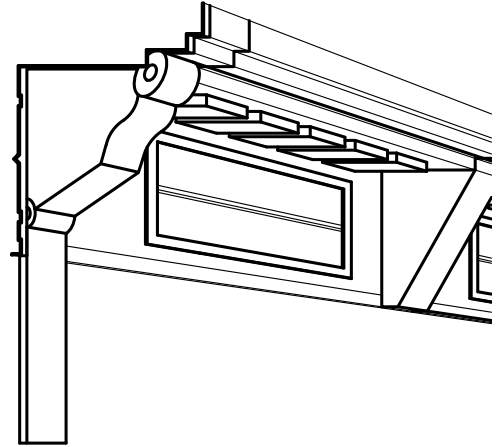
C-484

DEPTH: 1'-0"
HEIGHT: 1'-3"



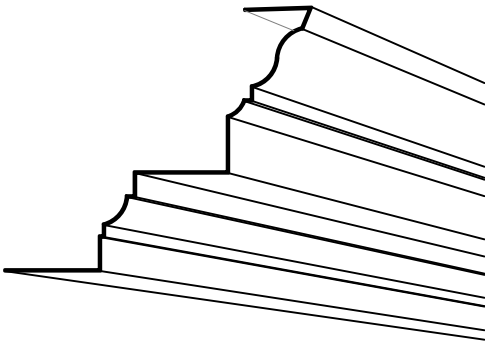
C-485

DEPTH: 2'-0"
HEIGHT: 2'-7 1/2"



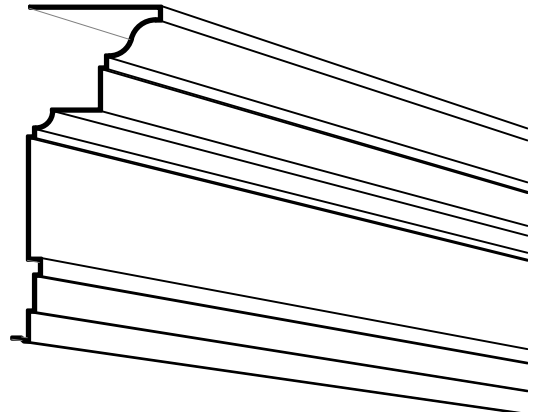
C-486

DEPTH: 3'-2 3/8"
HEIGHT: 2'-9"



C-487

DEPTH: 1'-0 1/2"
HEIGHT: 2'-4"



CORNICE

SHEET NO.

C-47

2025

PROFILES

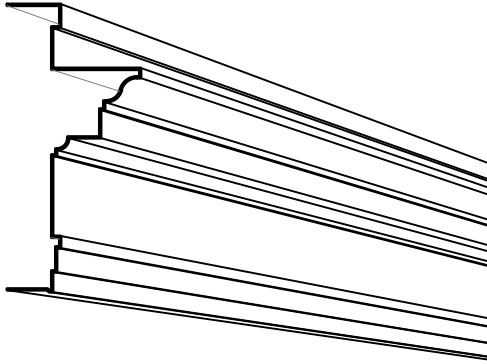


ARCHITECTURAL FIBERGLASS, INC.

8300 BESSEMER AVE., CLEVELAND, OHIO 44127-1839
(216) 641-8300 - FAX:(216) 641-8150
www.fiberglass-afi.com

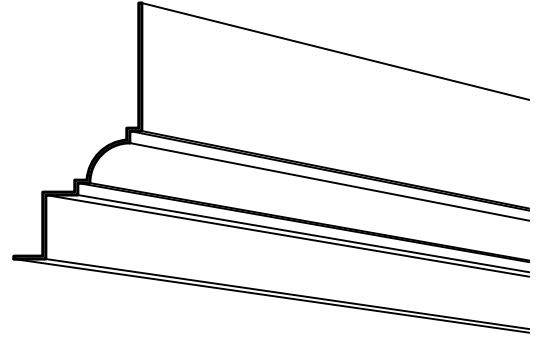
C-488

DEPTH: 1'-4 3/4"
HEIGHT: 3'-0"



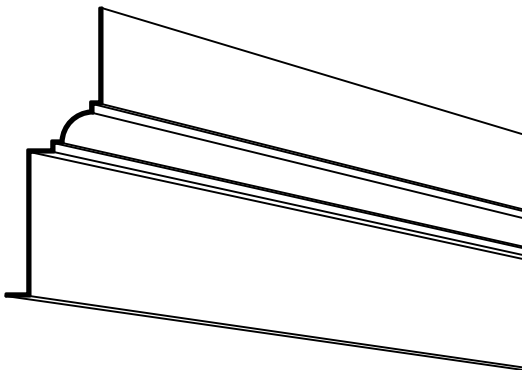
C-489

DEPTH: 8"
HEIGHT: 1'-4"



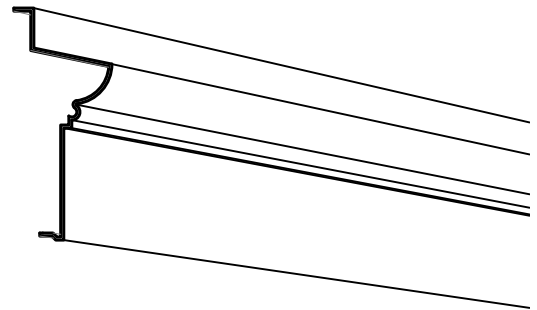
C-490

DEPTH: 8"
HEIGHT: 2'-0"



C-491

DEPTH: 6 1/8"
HEIGHT: 1'-2 1/2"



CORNICE

SHEET NO.

C-48

2025

PROFILES

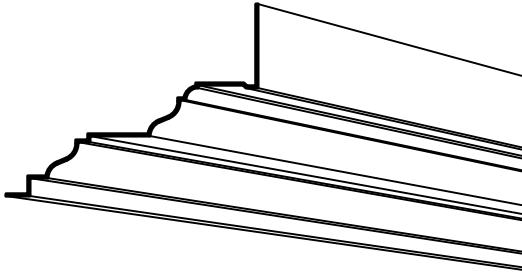


ARCHITECTURAL FIBERGLASS, INC.

8300 BESSEMER AVE., CLEVELAND, OHIO 44127-1839
(216) 641-8300 - FAX:(216) 641-8150
www.fiberglass-afi.com

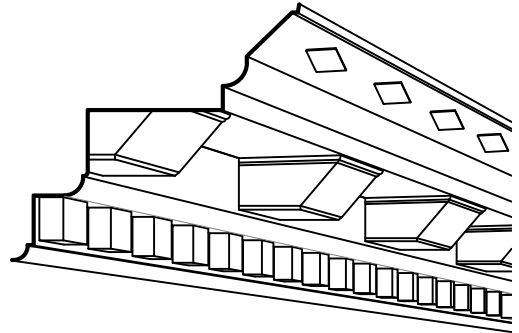
C-492

DEPTH: 1'-9"
HEIGHT: 1'-4"



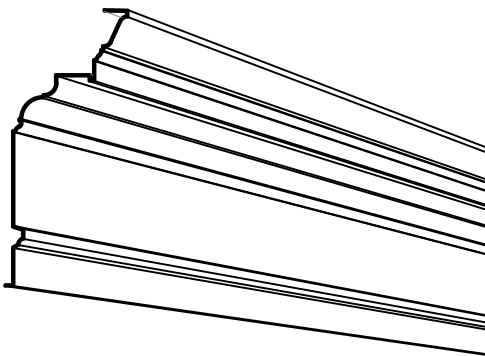
C-493

DEPTH: 4'-0"
HEIGHT: 3'-6 3/4"



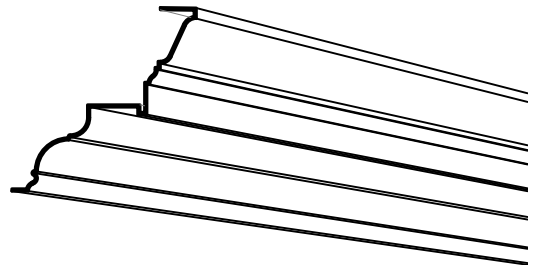
C-494

DEPTH: 1'-3 3/8"
HEIGHT: 2'-10 1/2"



C-495

DEPTH: 1'-3 3/8"
HEIGHT: 1'-3 1/4"



CORNICE

SHEET NO.

C-49

2025

PROFILES

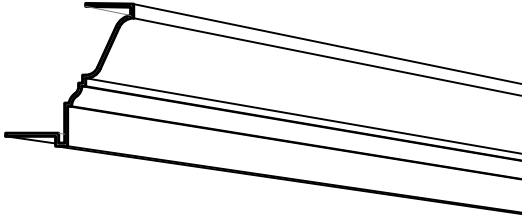


ARCHITECTURAL FIBERGLASS, INC.

8300 BESSEMER AVE., CLEVELAND, OHIO 44127-1839
(216) 641-8300 - FAX:(216) 641-8150
www.fiberglass-afi.com

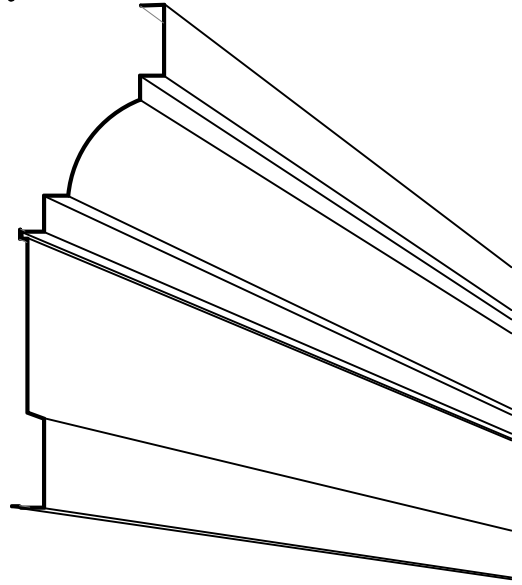
C-496

DEPTH: 8"
HEIGHT: 8 7/8"



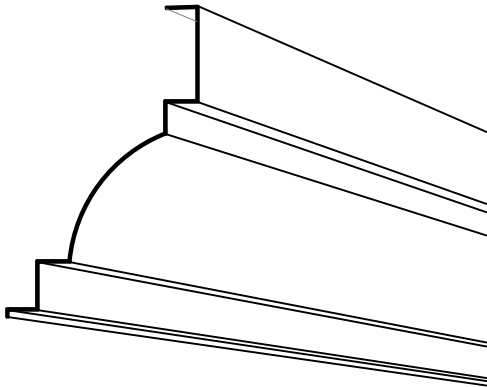
C-497

DEPTH: 2'-1 1/2"
HEIGHT: 7'-0"



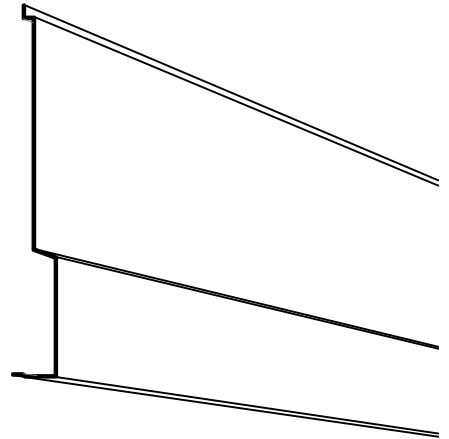
C-498

DEPTH: 2'-0"
HEIGHT: 3'-2 7/8"



C-499

DEPTH: 5 1/2"
HEIGHT: 3'-10 1/2"



CORNICE

SHEET NO.

C-50

2025

PROFILES

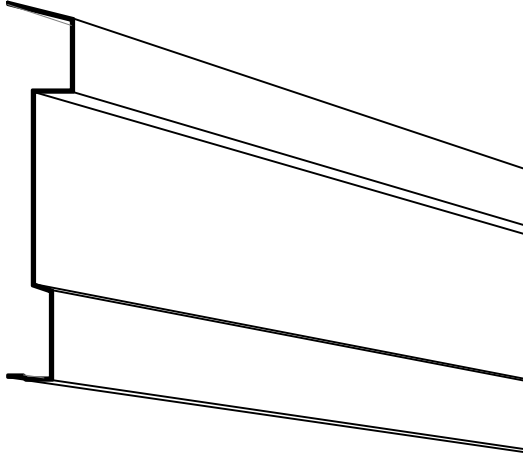


ARCHITECTURAL FIBERGLASS, INC.

8300 BESSEMER AVE., CLEVELAND, OHIO 44127-1839
(216) 641-8300 - FAX:(216) 641-8150
www.fiberglass-afi.com

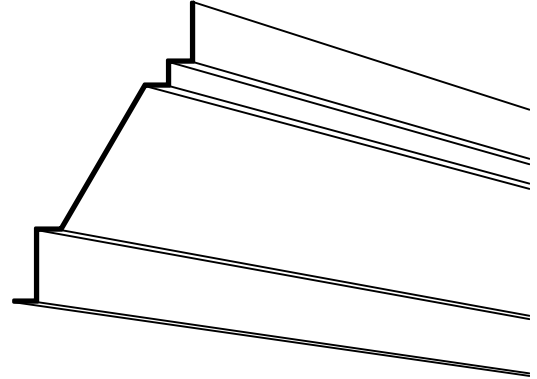
C-500

DEPTH: 5 1/2"
HEIGHT: 2'-7 1/2"



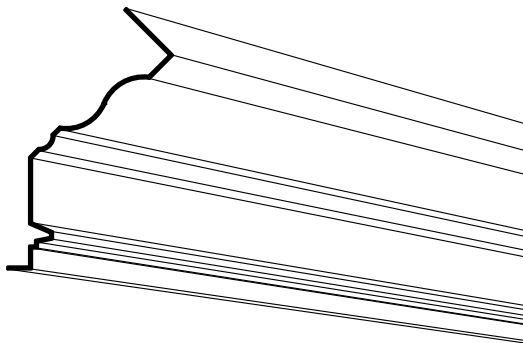
C-501

DEPTH: 1'-3"
HEIGHT: 2'-1"



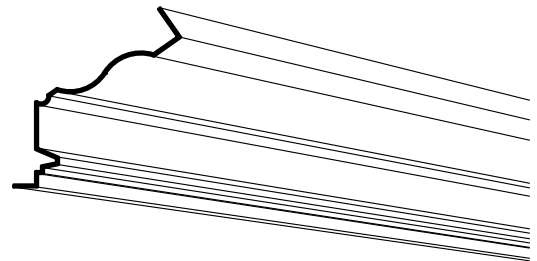
C-502

DEPTH: 1'-1 3/4"
HEIGHT: 1'-9 3/4"



C-503

DEPTH: 1'-1 15/16"
HEIGHT: 1'-2 15/16"



CORNICE

SHEET NO.

C-51

2025

PROFILES

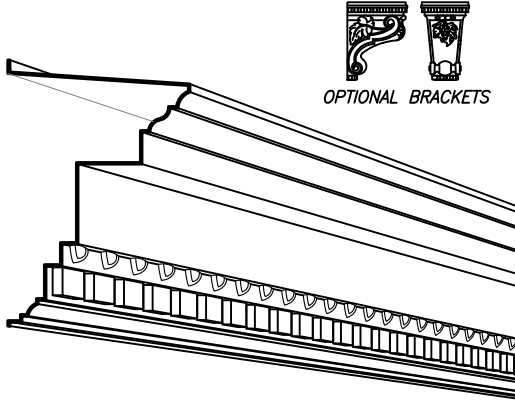


ARCHITECTURAL FIBERGLASS, INC.

8300 BESSEMER AVE., CLEVELAND, OHIO 44127-1839
(216) 641-8300 - FAX:(216) 641-8150
www.fiberglass-afi.com

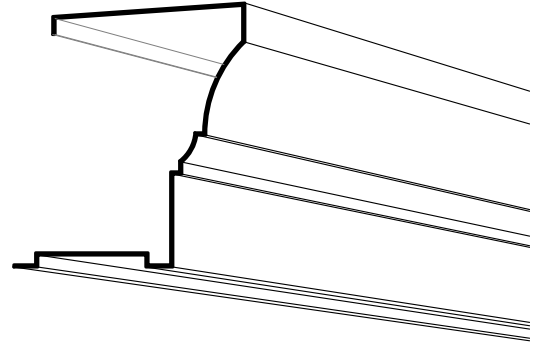
C-504

DEPTH: 1'-10 3/4"
HEIGHT: 2'-9 1/4"



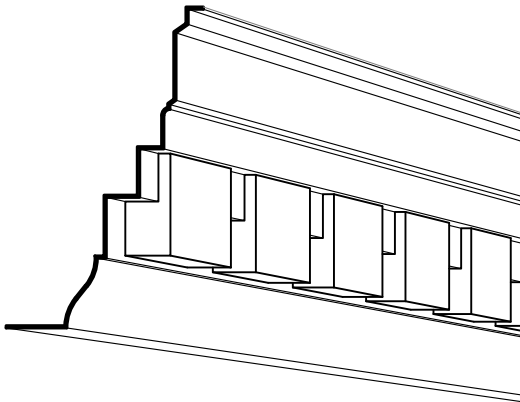
C-505

DEPTH: 1'-7 1/4"
HEIGHT: 1'-10"



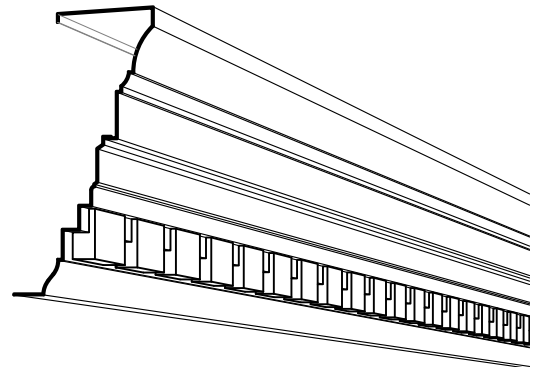
C-506

DEPTH: 1'-4 1/4"
HEIGHT: 2'-2 7/16"



C-507

DEPTH: 1'-11 1/4"
HEIGHT: 4'-0"



CORNICE

SHEET NO.

C-52

2025

PROFILES

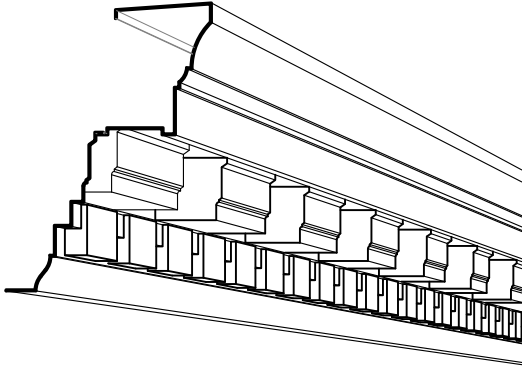


ARCHITECTURAL FIBERGLASS, INC.

8300 BESSEMER AVE., CLEVELAND, OHIO 44127-1839
(216) 641-8300 - FAX:(216) 641-8150
www.fiberglass-afi.com

C-508

DEPTH: 2'-10 1/4"
HEIGHT: 4'-0"



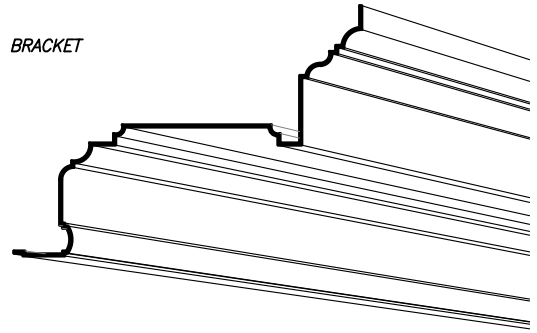
C-509

DEPTH: 2'-5"
HEIGHT: 1'-8 7/8"

BRACKETS: 0'-4"; VARIES,
2'-6" C/C TYP

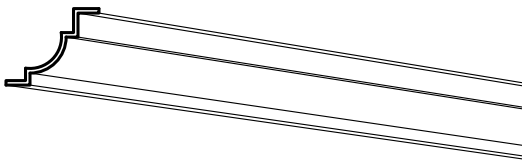


OPTIONAL BRACKET



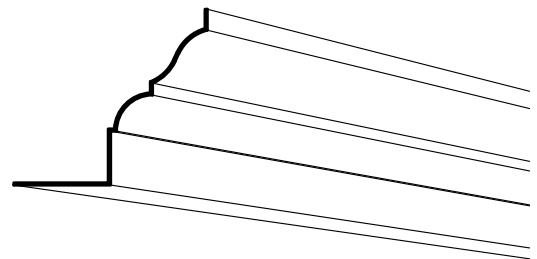
C-510

DEPTH: 3 7/8"
HEIGHT: 3"



C-511

DEPTH: 1'-4 1/8"
HEIGHT: 1'-2 11/16"



CORNICE

SHEET NO.

C-53

2025

PROFILES

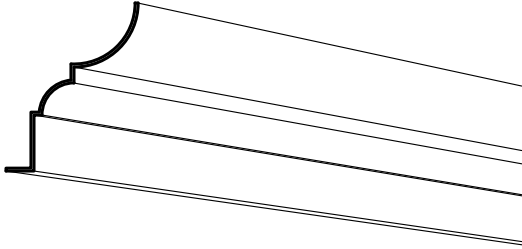


ARCHITECTURAL FIBERGLASS, INC.

8300 BESSEMER AVE., CLEVELAND, OHIO 44127-1839
(216) 641-8300 - FAX:(216) 641-8150
www.fiberglass-afi.com

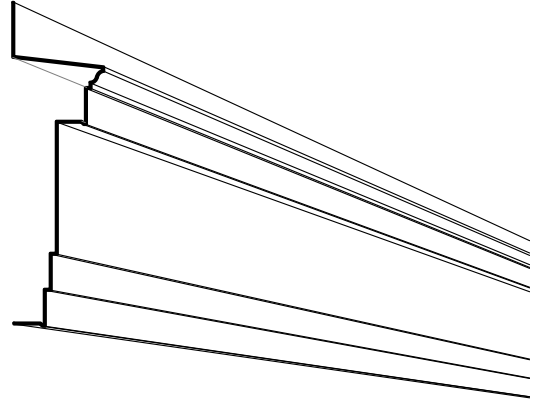
C-512

DEPTH: 8 1/4"
HEIGHT: 10 1/2"



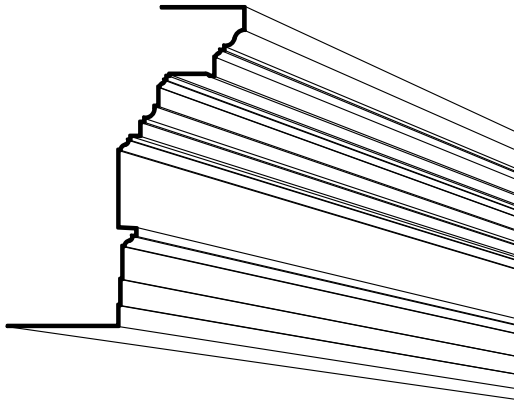
C-513

DEPTH: 1'-3"
HEIGHT: 4'-5 5/8"



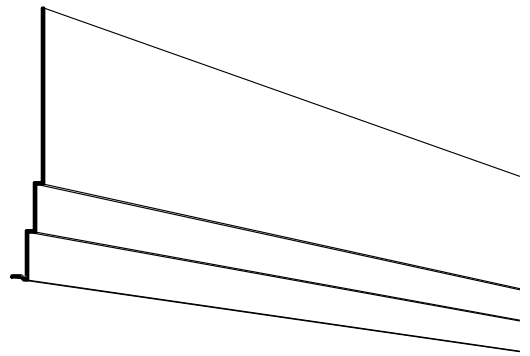
C-514

DEPTH: 2'-5 3/4"
HEIGHT: 3'-4"



C-515

DEPTH: 4"
HEIGHT: 2'-10"



CORNICE

SHEET NO.

C-54

2025

PROFILES

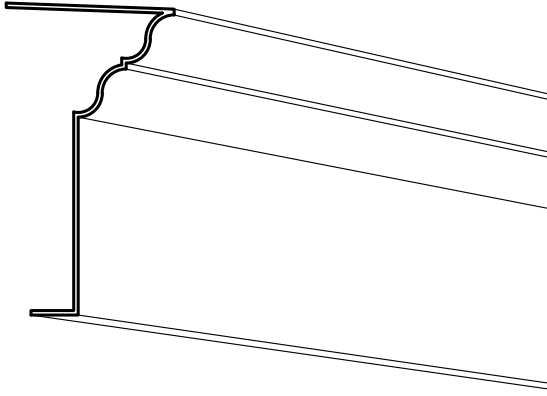


ARCHITECTURAL FIBERGLASS, INC.

8300 BESSEMER AVE., CLEVELAND, OHIO 44127-1839
(216) 641-8300 - FAX:(216) 641-8150
www.fiberglass-afi.com

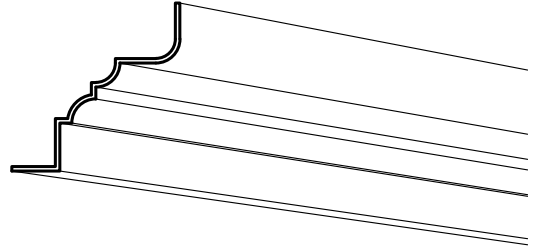
C-516

DEPTH: 6"
HEIGHT: 1'-1"



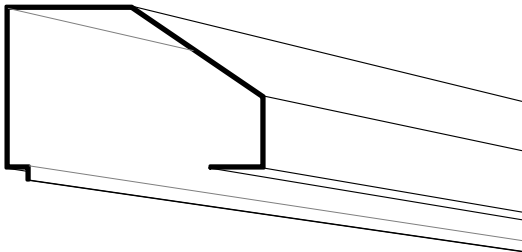
C-517

DEPTH: 7"
HEIGHT: 7"



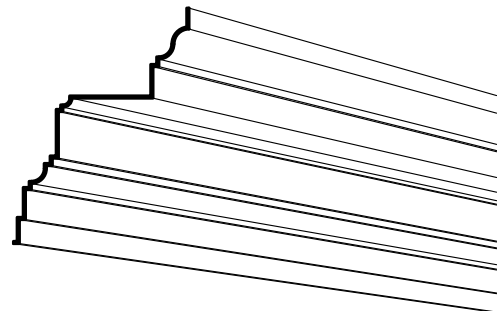
C-518

DEPTH: 1'-9 1/2"
HEIGHT: 1'-2 1/2"



C-519

DEPTH: 1'-2 5/8"
HEIGHT: 1'-7 5/8"



OPTIONAL BRACKET



CORNICE

SHEET NO.

C-55

2025

PROFILES

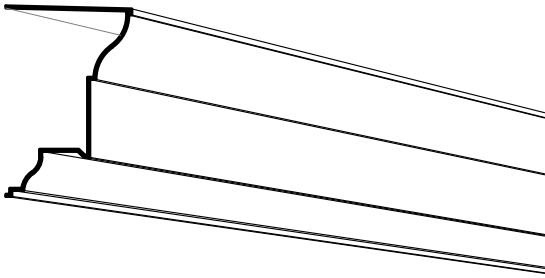


ARCHITECTURAL FIBERGLASS, INC.

8300 BESSEMER AVE., CLEVELAND, OHIO 44127-1839
(216) 641-8300 - FAX:(216) 641-8150
www.fiberglass-afi.com

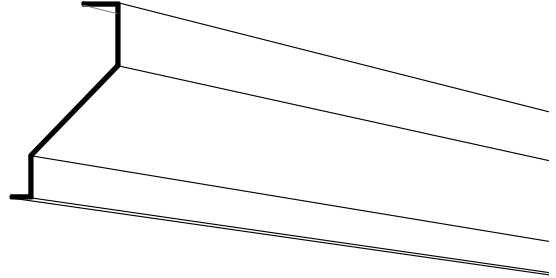
C-520

DEPTH: 10 1/2"
HEIGHT: 1'-3 7/8"



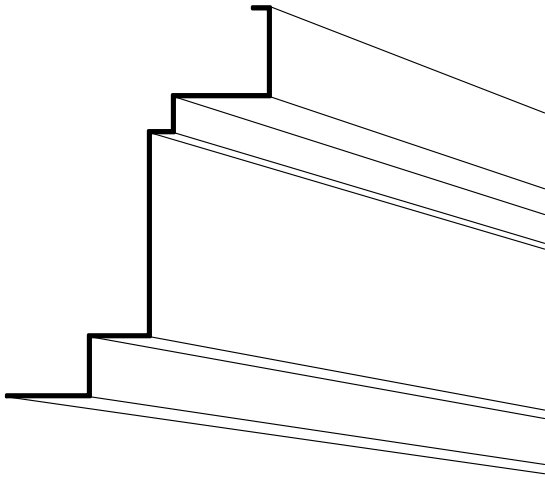
C-521

DEPTH: 9"
HEIGHT: 1'-4 1/4"



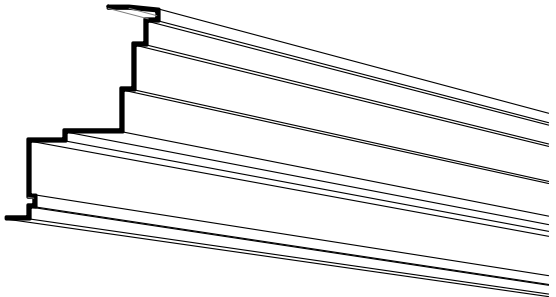
C-522

DEPTH: 1'-10"
HEIGHT: 2'-8 1/2"



C-523

DEPTH: 1'-0 3/4"
HEIGHT: 1'-5 3/4"



CORNICE

SHEET NO.

C-56

2025

PROFILES

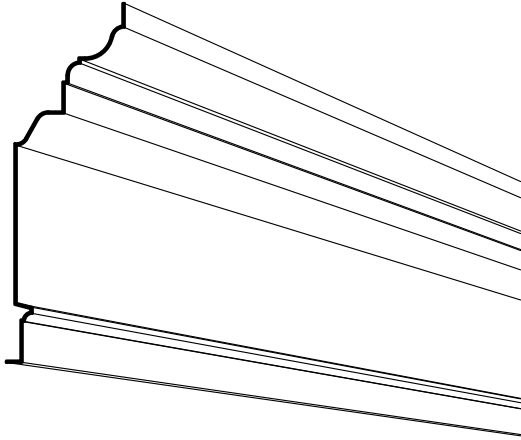


ARCHITECTURAL FIBERGLASS, INC.

8300 BESSEMER AVE., CLEVELAND, OHIO 44127-1839
(216) 641-8300 - FAX:(216) 641-8150
www.fiberglass-afi.com

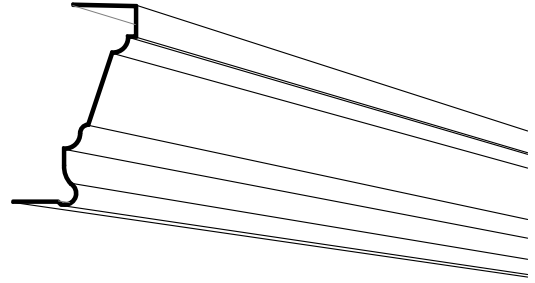
C-524

DEPTH: 1'-2 3/4"
HEIGHT: 3'-8 7/8"



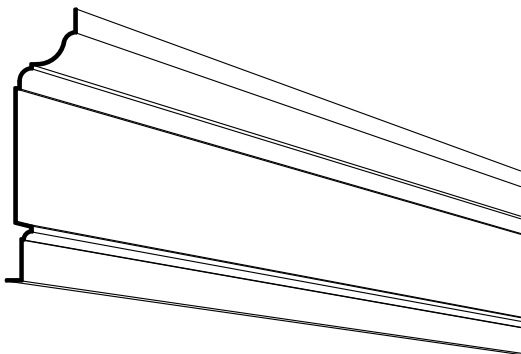
C-525

DEPTH: 1'-3 9/16"
HEIGHT: 2'-1 3/16"



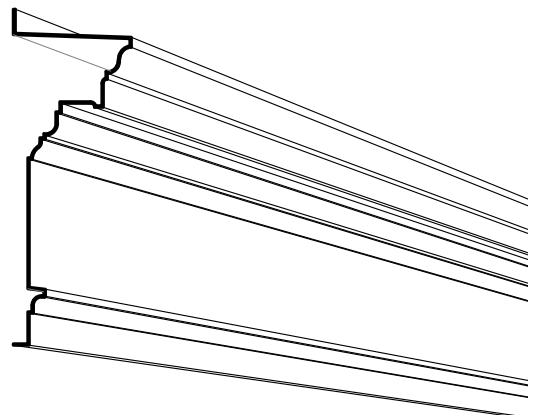
C-526

DEPTH: 8 3/4"
HEIGHT: 2'-10"



C-527

DEPTH: 1'-2 3/4"
HEIGHT: 3'-6"



CORNICE

SHEET NO.

C-57

2025

PROFILES



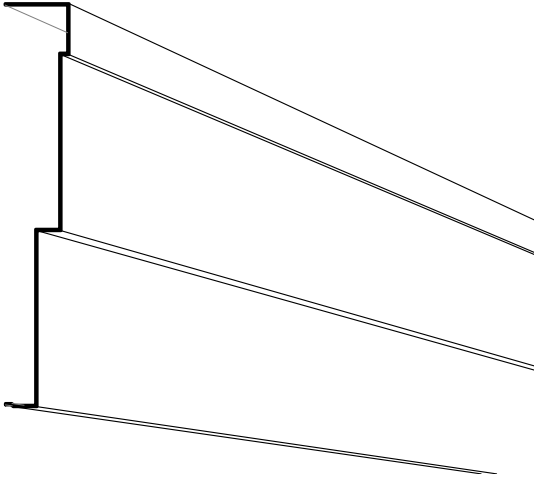
ARCHITECTURAL FIBERGLASS, INC.

8300 BESSEMER AVE., CLEVELAND, OHIO 44127-1839
(216) 641-8300 - FAX:(216) 641-8150
www.fiberglass-afi.com

C-528

DEPTH: 8"

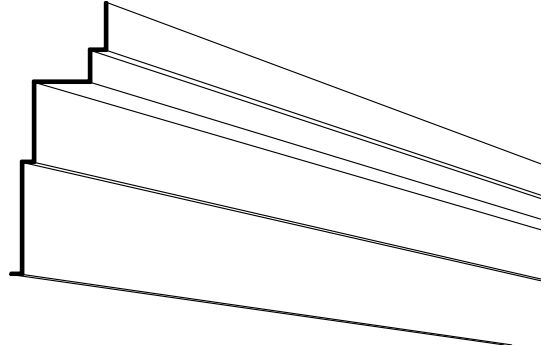
HEIGHT: 4'-2 3/8"



C-529

DEPTH 1'-0"

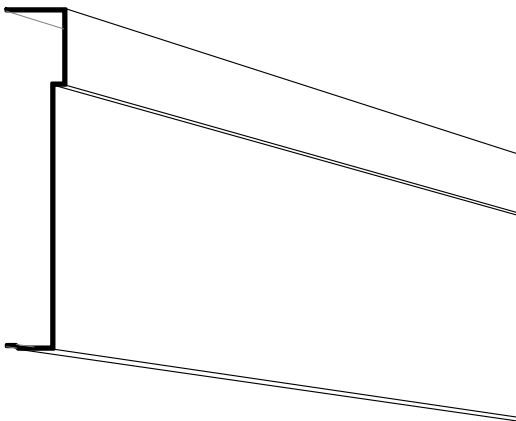
HEIGHT: 2'-10"



C-530

DEPTH: 5"

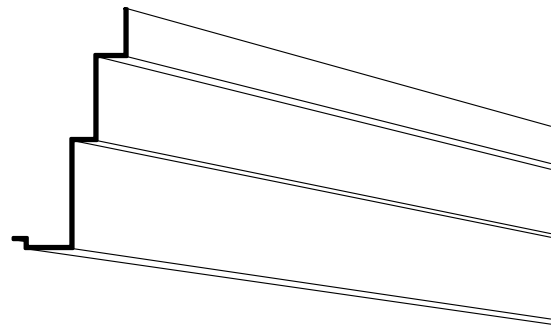
HEIGHT: 2'-4 3/8"



C-531

DEPTH: 9 1/2"

HEIGHT: 1'-8"



CORNICE

SHEET NO.

C-58

2025

PROFILES

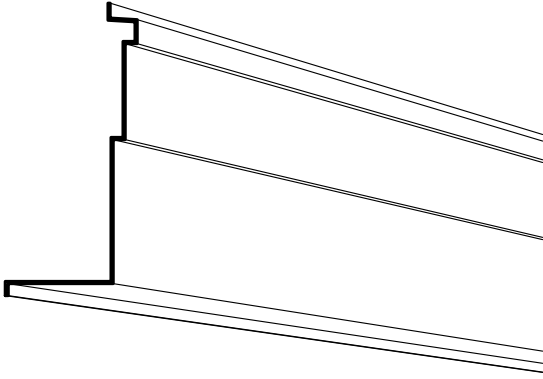


ARCHITECTURAL FIBERGLASS, INC.

8300 BESSEMER AVE., CLEVELAND, OHIO 44127-1839
(216) 641-8300 - FAX:(216) 641-8150
www.fiberglass-afi.com

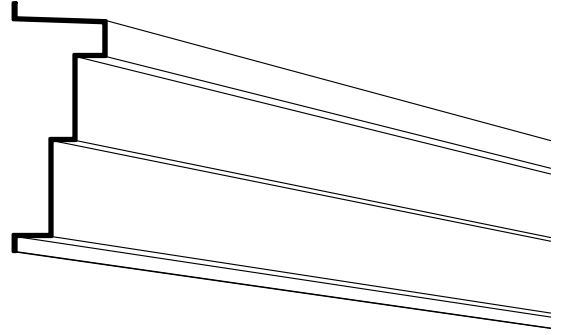
C-532

DEPTH: 11"
HEIGHT: 2'-0 3/8"



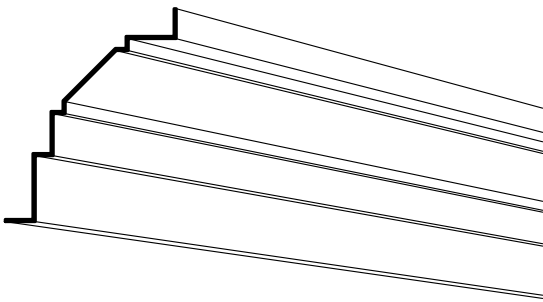
C-533

DEPTH: 7 3/4"
HEIGHT: 1'-8 3/4"



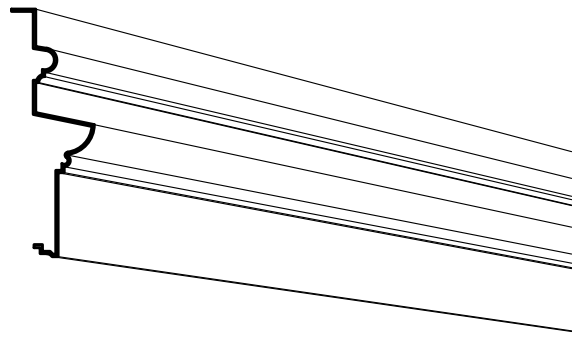
C-534

DEPTH: 1'-2 1/4"
HEIGHT: 1'-5 3/4"



C-535

DEPTH: 5"
HEIGHT: 1'-8 5/8"



CORNICE

SHEET NO.

C-59

2025

PROFILES

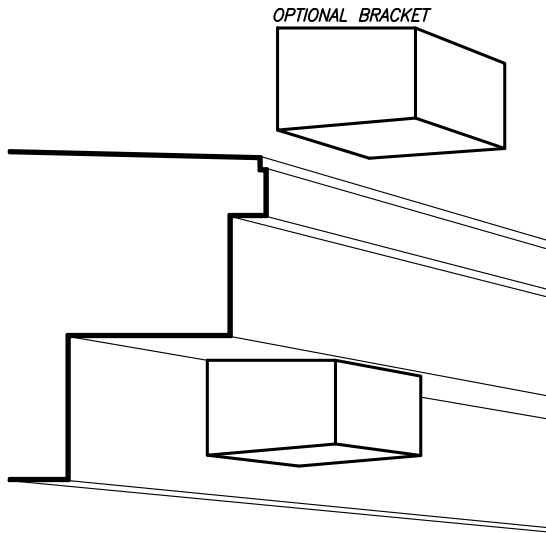


ARCHITECTURAL FIBERGLASS, INC.

8300 BESSEMER AVE., CLEVELAND, OHIO 44127-1839
(216) 641-8300 - FAX:(216) 641-8150
www.fiberglass-afi.com

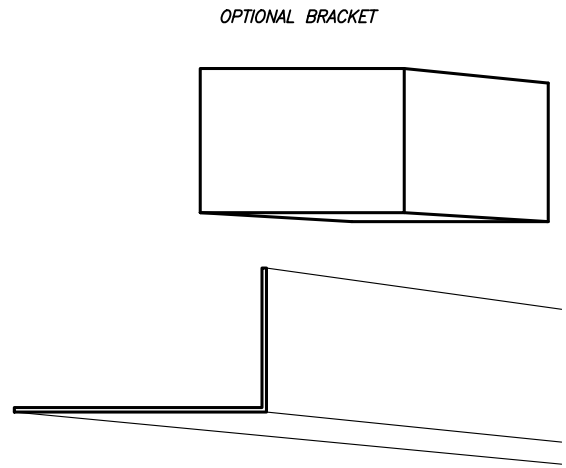
C-536

DEPTH: 1'-9 1/2"
HEIGHT: 2'-3 1/2"



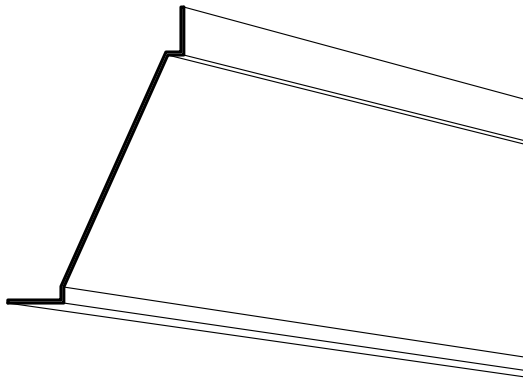
C-537

DEPTH: 10 1/2"
HEIGHT: 6" (12" W/BACKET)



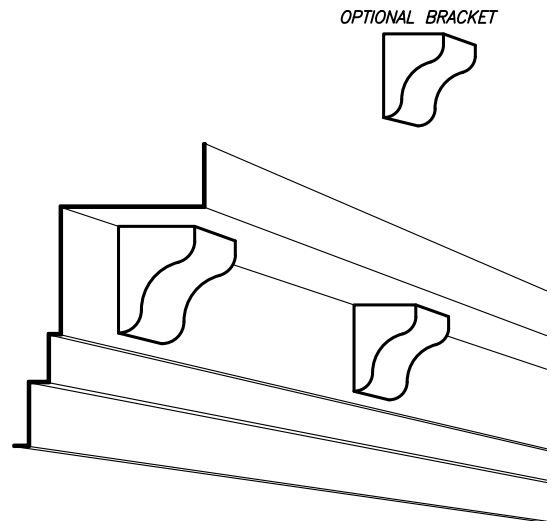
C-538

DEPTH: 11"
HEIGHT: 1'-6 1/2"



C-539

DEPTH 2'-0"
HEIGHT: 3'-2"



CORNICE

SHEET NO.

C-60

2025

PROFILES

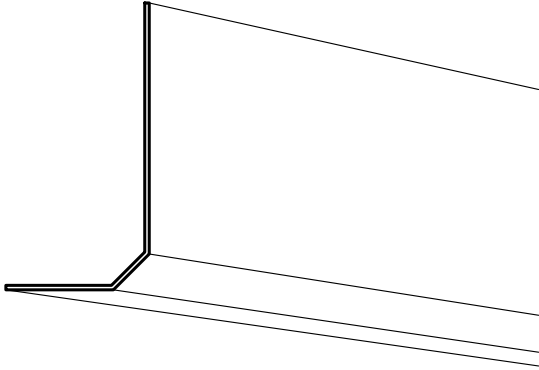


ARCHITECTURAL FIBERGLASS, INC.

8300 BESSEMER AVE., CLEVELAND, OHIO 44127-1839
(216) 641-8300 - FAX:(216) 641-8150
www.fiberglass-afi.com

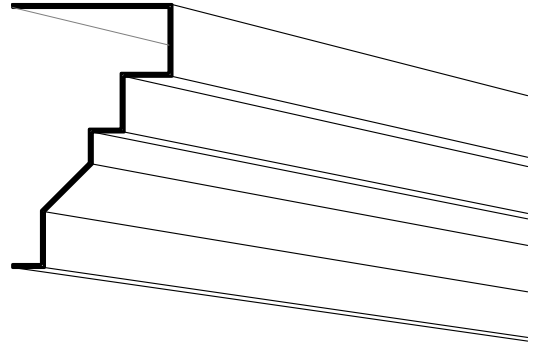
C-540

DEPTH: 6"
HEIGHT: 1'-0"



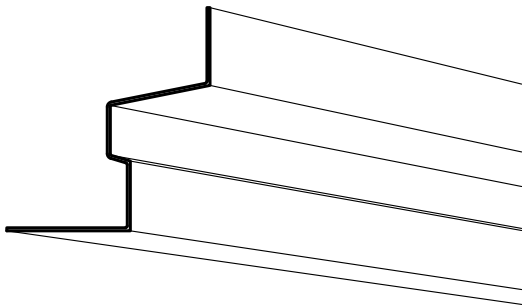
C-541

DEPTH: 1'-0 1/2"
HEIGHT: 1'-7 3/4"



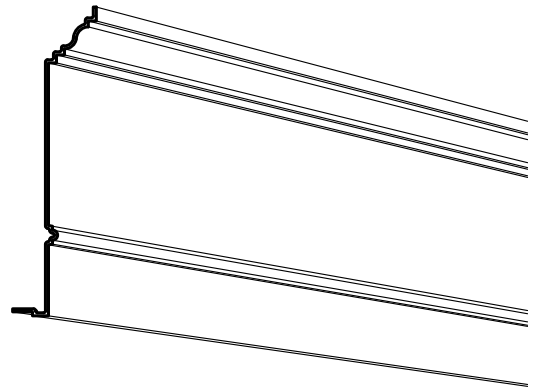
C-542

DEPTH: 1'-0 3/4"
HEIGHT: 1'-2"



C-543

DEPTH: 5 1/4"
HEIGHT: 1'-7 3/8"



CORNICE

SHEET NO.

C-61

2025

PROFILES

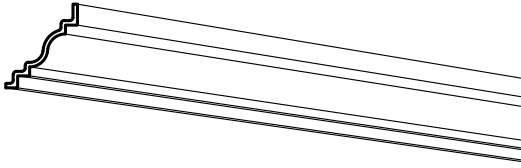


ARCHITECTURAL FIBERGLASS, INC.

8300 BESSEMER AVE., CLEVELAND, OHIO 44127-1839
(216) 641-8300 - FAX:(216) 641-8150
www.fiberglass-afi.com

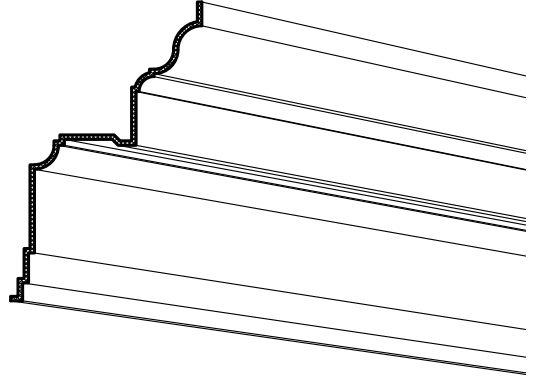
C-544

DEPTH: 3"
HEIGHT: 3 1/2"



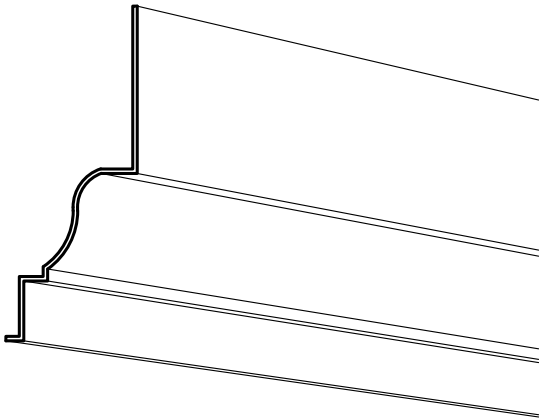
C-545

DEPTH: 8"
HEIGHT: 12 1/2"



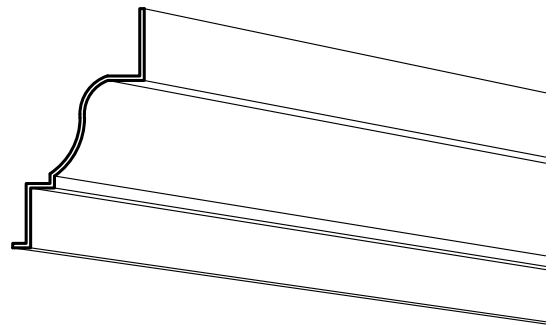
C-546

DEPTH: 5 1/2"
HEIGHT: 1'-2"



C-547

DEPTH: 5 1/2"
HEIGHT: 1'-2"



CORNICE

SHEET NO.

C-62

2025

PROFILES

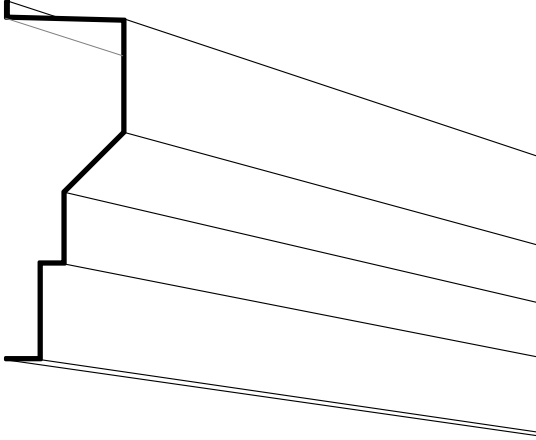


ARCHITECTURAL FIBERGLASS, INC.

8300 BESSEMER AVE., CLEVELAND, OHIO 44127-1839
(216) 641-8300 - FAX:(216) 641-8150
www.fiberglass-afi.com

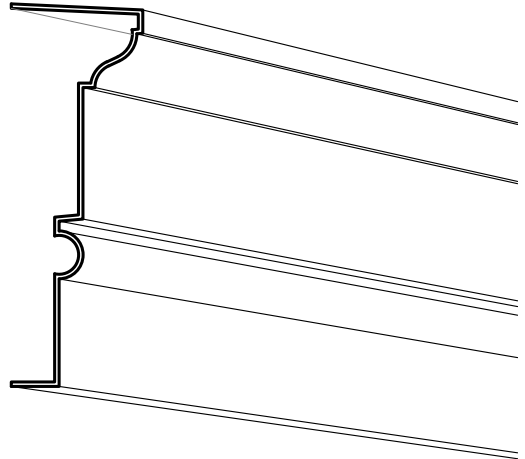
C-548

DEPTH: 10"
HEIGHT: 2'-6"



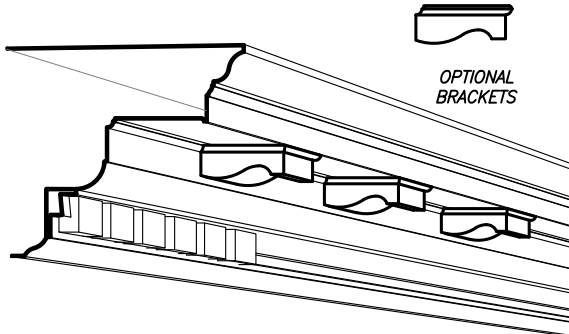
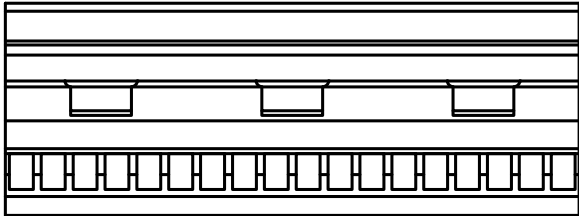
C-549

DEPTH: 5 1/2"
HEIGHT: 1'-4"



C-550

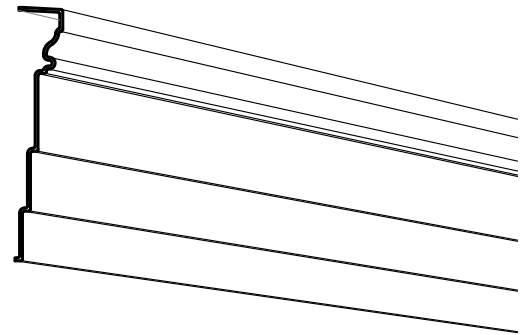
DEPTH: 2'-5 13/16"
HEIGHT: 2'-2 5/8"



OPTIONAL
BRACKETS

C-551

DEPTH: 3"
HEIGHT: 1'-3 7/8"



CORNICE

SHEET NO.

C-63

2025

PROFILES

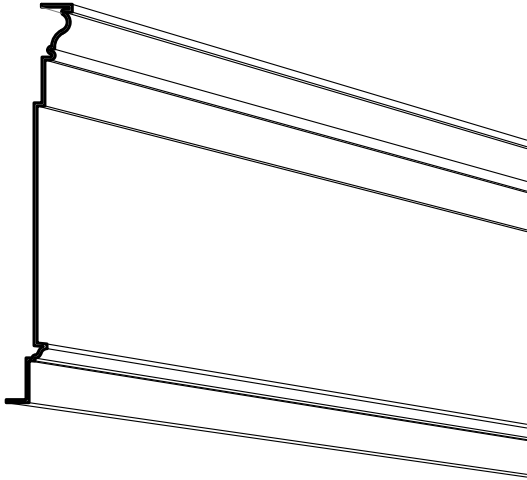


ARCHITECTURAL FIBERGLASS, INC.

8300 BESSEMER AVE., CLEVELAND, OHIO 44127-1839
(216) 641-8300 - FAX:(216) 641-8150
www.fiberglass-afi.com

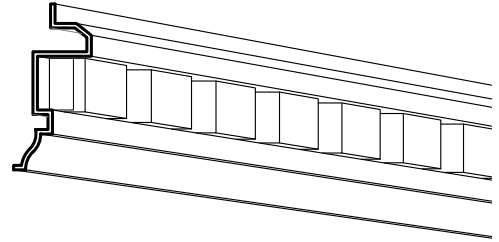
C-552

DEPTH: 4 1/8"
HEIGHT: 2'-1"



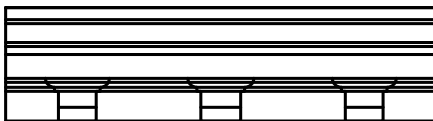
C-553

DEPTH: 3 1/4"
HEIGHT: 6 15/16"

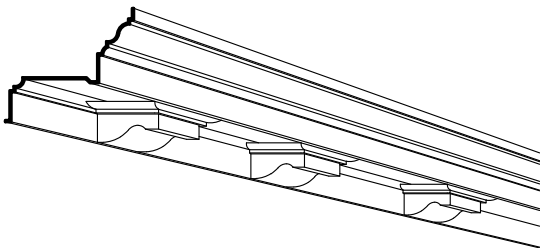


C-554

DEPTH: 1'-4 1/8"
HEIGHT: 1'-2 1/4"

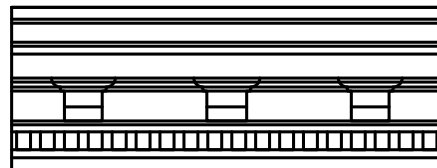


OPTIONAL
BRACKETS

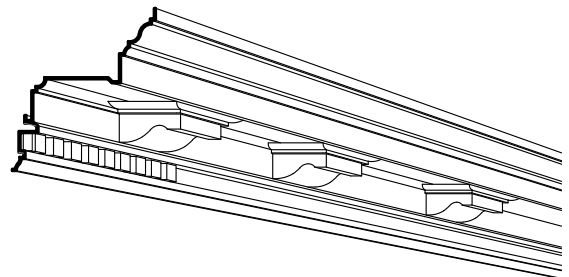


C-555

DEPTH: 1'-6"
HEIGHT: 1'-8 3/8"



OPTIONAL
BRACKETS



CORNICE

SHEET NO.

C-64

2025

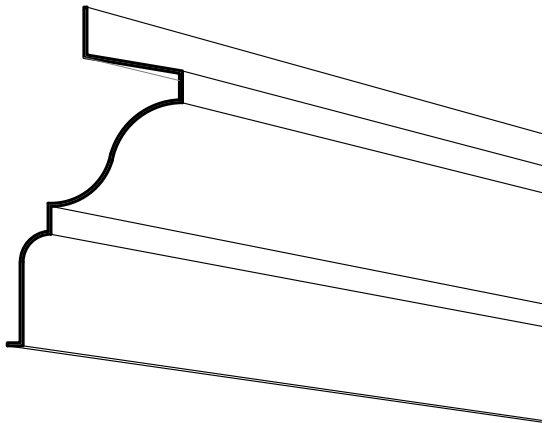
PROFILES



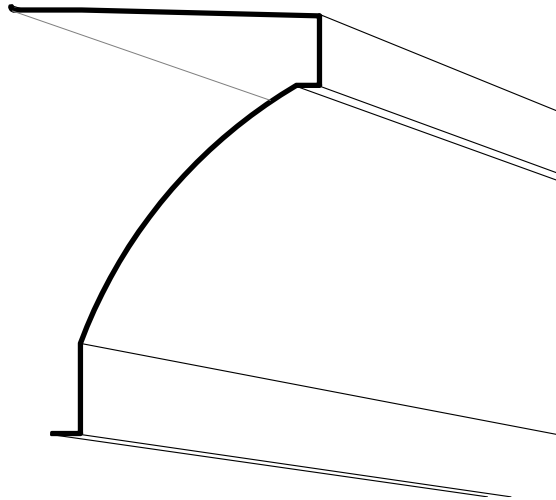
ARCHITECTURAL FIBERGLASS, INC.

8300 BESSEMER AVE., CLEVELAND, OHIO 44127-1839
(216) 641-8300 - FAX:(216) 641-8150
www.fiberglass-afi.com

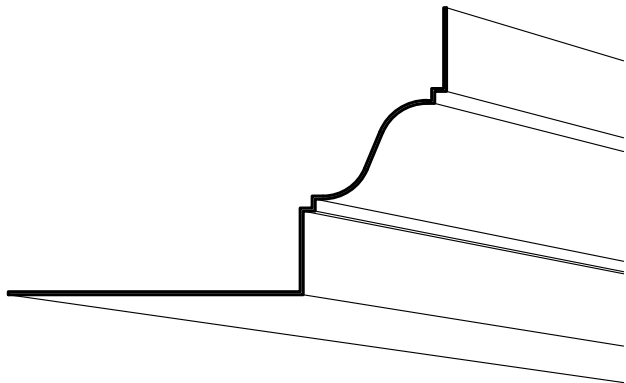
C-556
DEPTH: 11"
HEIGHT: 1'-9 1/4"



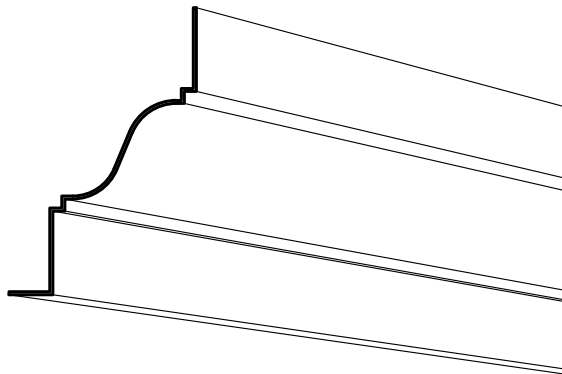
C-557
DEPTH: 2'-2"
HEIGHT: 2'-11 7/8"



C-558
DEPTH: 2'-3 1/2"
HEIGHT: 1'-6"



C-559
DEPTH: 11 3/4"
HEIGHT: 1'-6"



CORNICE

SHEET NO.

C-65

2025

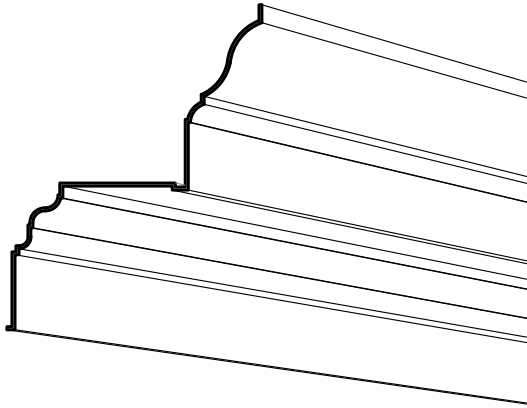
PROFILES



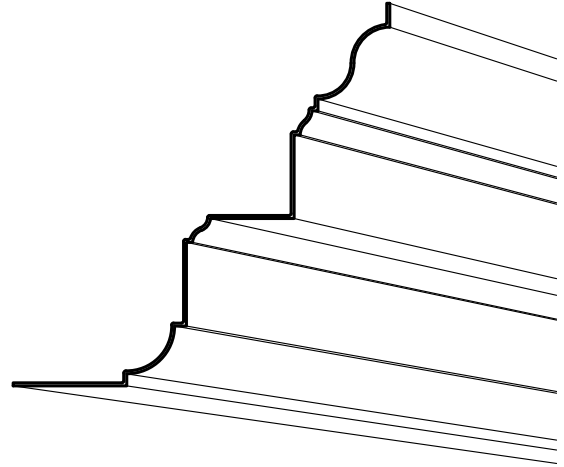
ARCHITECTURAL FIBERGLASS, INC.

8300 BESSEMER AVE., CLEVELAND, OHIO 44127-1839
(216) 641-8300 - FAX:(216) 641-8150
www.fiberglass-afi.com

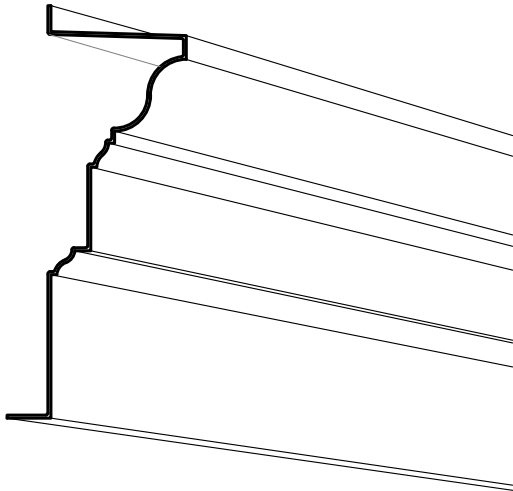
C-560
DEPTH: 1'-4"
HEIGHT: 1'-8 3/8"



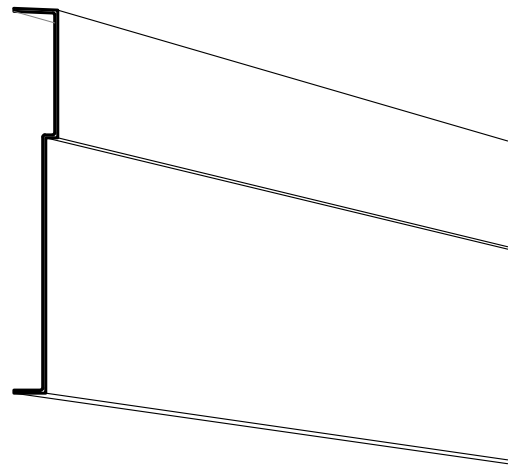
C-561
DEPTH: 1'-11 5/8"
HEIGHT: 2'-0"



C-562
DEPTH: 11 1/4"
HEIGHT: 2'-1 7/8"



C-563
DEPTH: 2 3/4"
HEIGHT: 2'-0 1/8"



CORNICE

SHEET NO.

C-66

2025

PROFILES



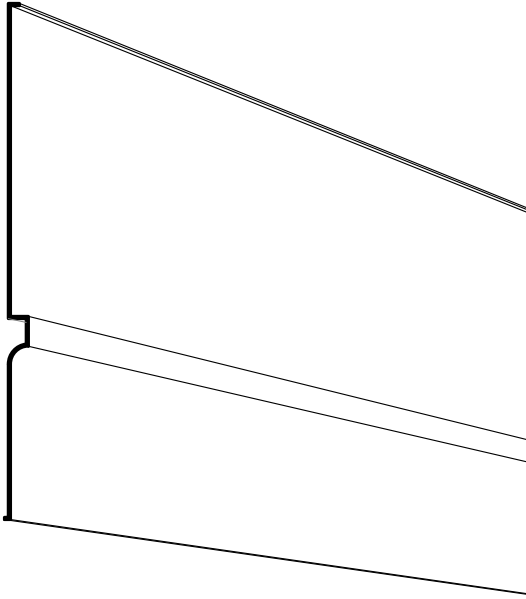
ARCHITECTURAL FIBERGLASS, INC.

8300 BESSEMER AVE., CLEVELAND, OHIO 44127-1839
(216) 641-8300 - FAX:(216) 641-8150
www.fiberglass-afi.com

C-564

DEPTH: 2"

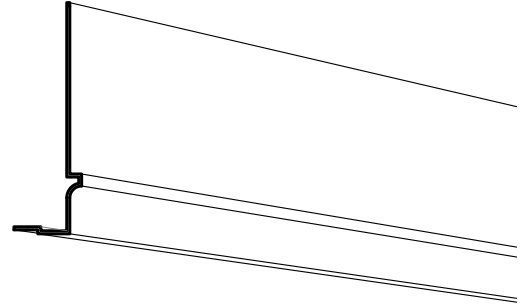
HEIGHT: 3'-7 13/16"



C-565

DEPTH: 4 1/4"

HEIGHT: 1'-2 1/2"

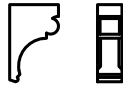


C-566

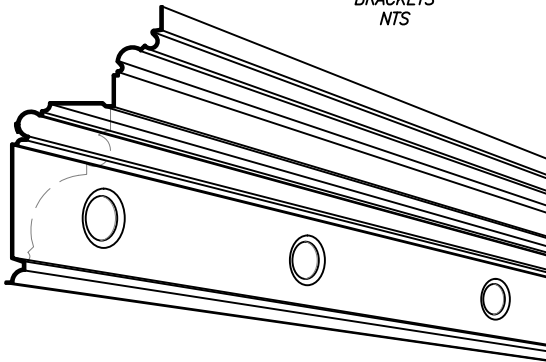
DEPTH: 1'-7 5/8"

HEIGHT: 2'-10 3/4"

2-PIECE ASSEMBLY:



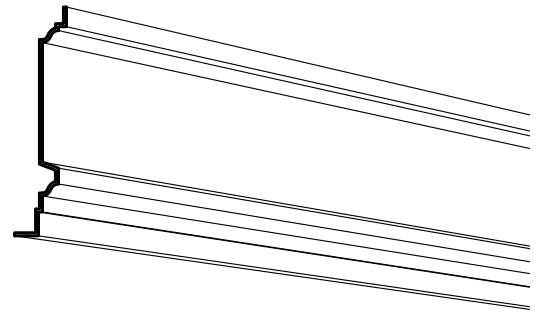
OPTIONAL
BRACKETS
NTS



C-567

DEPTH: 3 1/4"

HEIGHT: 1'-2 3/8"



CORNICE

SHEET NO.

C-67

2025

PROFILES

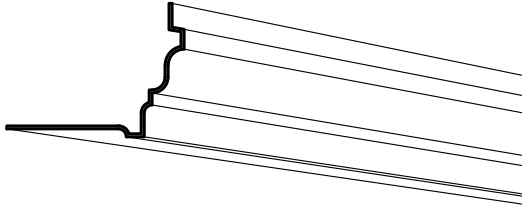


ARCHITECTURAL FIBERGLASS, INC.

8300 BESSEMER AVE., CLEVELAND, OHIO 44127-1839
(216) 641-8300 - FAX:(216) 641-8150
www.fiberglass-afi.com

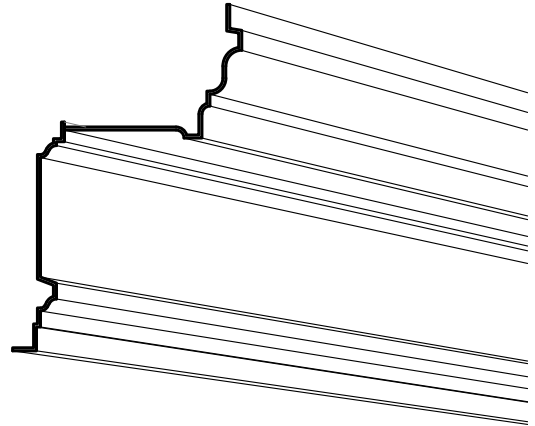
C-568

DEPTH: 11 1/8"
HEIGHT: 8 3/8"



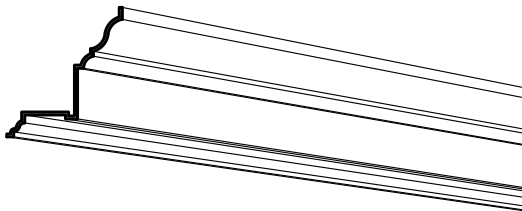
C-569

DEPTH: 1'-2 3/8"
HEIGHT: 1'-9 3/4"



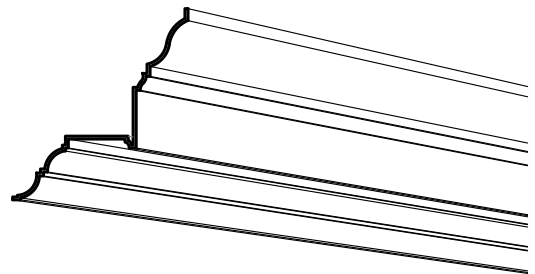
C-570

DEPTH: 7 1/4"
HEIGHT: 8 1/8"



C-571

DEPTH: 11"
HEIGHT: 1'-0"



CORNICE

SHEET NO.

C-68

2025

PROFILES

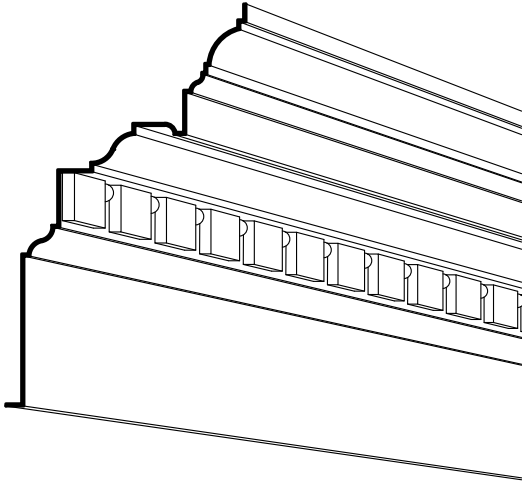


ARCHITECTURAL FIBERGLASS, INC.

8300 BESSEMER AVE., CLEVELAND, OHIO 44127-1839
(216) 641-8300 - FAX:(216) 641-8150
www.fiberglass-afi.com

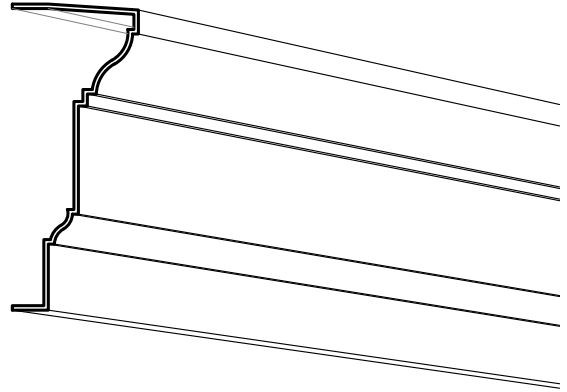
C-572

DEPTH: 1'-8"
HEIGHT: 2'-9 1/2"



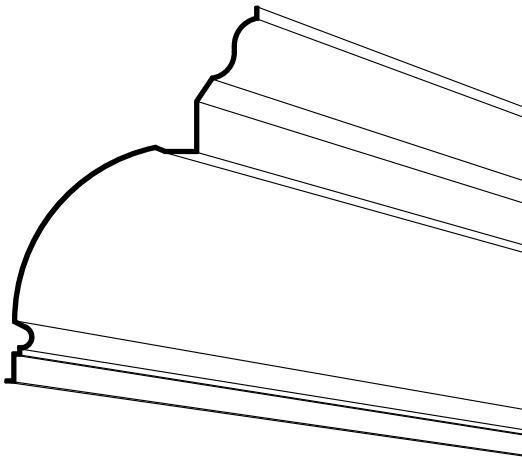
C-573

DEPTH: 5 1/4"
HEIGHT: 1'-0 3/4"



C-574

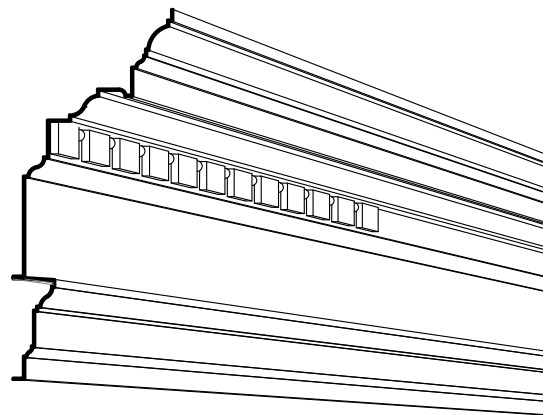
DEPTH: 1'-9"
HEIGHT: 2'-7 1/4"



C-575

DEPTH: 1'-8"
HEIGHT: 3'-10 1/4"

2-PIECE ASSEMBLY:
C-572 & C-573



CORNICE

SHEET NO.

C-69

2025

PROFILES

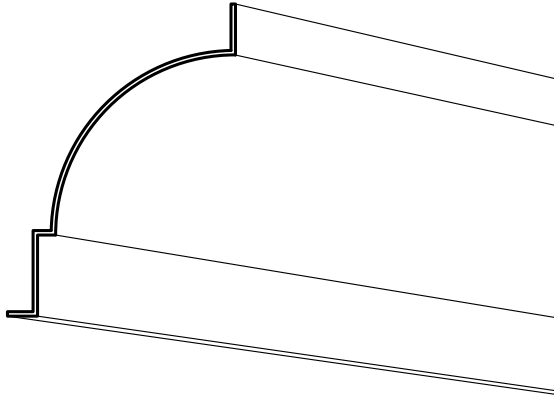


ARCHITECTURAL FIBERGLASS, INC.

8300 BESSEMER AVE., CLEVELAND, OHIO 44127-1839
(216) 641-8300 - FAX:(216) 641-8150
www.fiberglass-afi.com

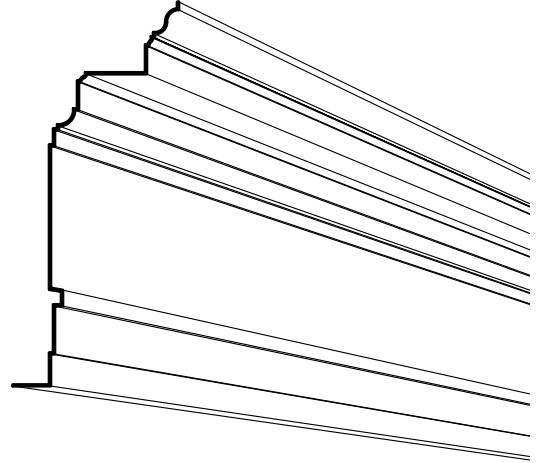
C-576

DEPTH: 9 1/2"
HEIGHT: 1'-1"



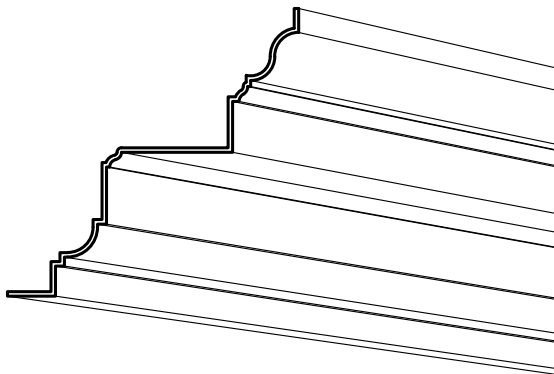
C-577

DEPTH: 1'-8 3/4"
HEIGHT: 4'-0"



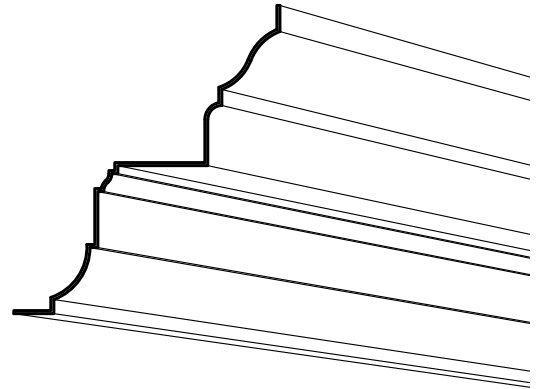
C-578

DEPTH: 1'-0 1/8"
HEIGHT: 1'-0"



C-579

DEPTH: 1'-4 5/8"
HEIGHT: 1'-7 1/4"



CORNICE

SHEET NO.

C-70

2025

PROFILES

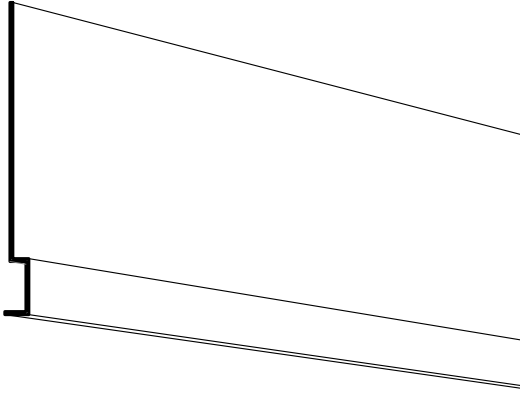


ARCHITECTURAL FIBERGLASS, INC.

8300 BESSEMER AVE., CLEVELAND, OHIO 44127-1839
(216) 641-8300 - FAX:(216) 641-8150
www.fiberglass-afi.com

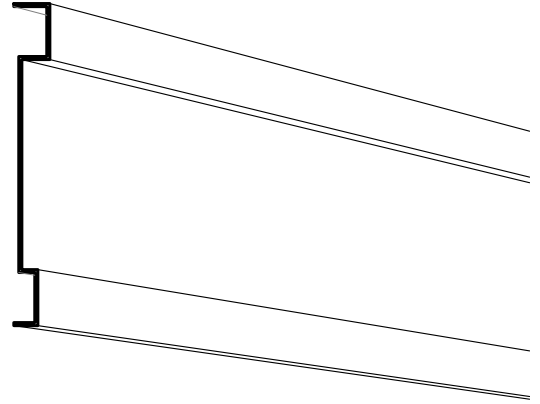
C-580

DEPTH: 1 1/2"
HEIGHT: 1'-7 1/2"



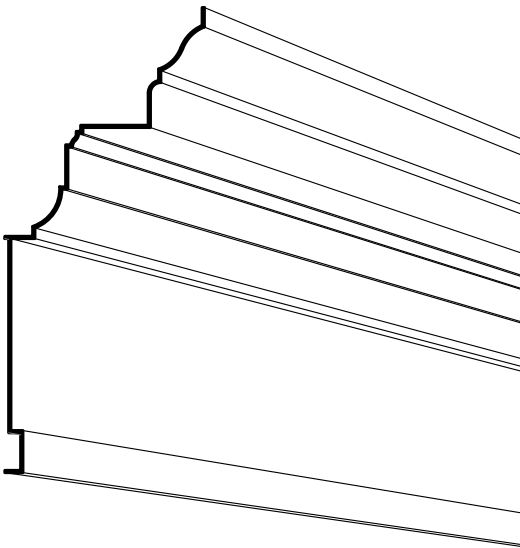
C-581

DEPTH: 2 1/4"
HEIGHT: 1'-8 1/8"



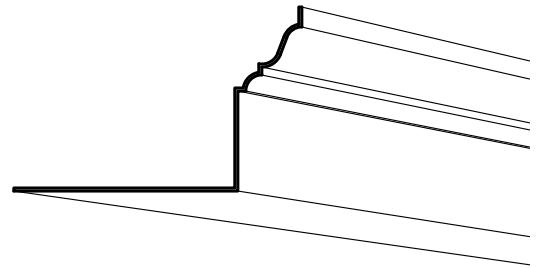
C-582

DEPTH: 1'-4 5/8"
HEIGHT: 3'-2 3/4"



C-583

DEPTH: 1'-6"
HEIGHT: 11 1/2"



CORNICE

SHEET NO.

C-71

2025

PROFILES

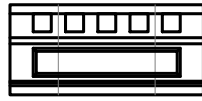


ARCHITECTURAL FIBERGLASS, INC.

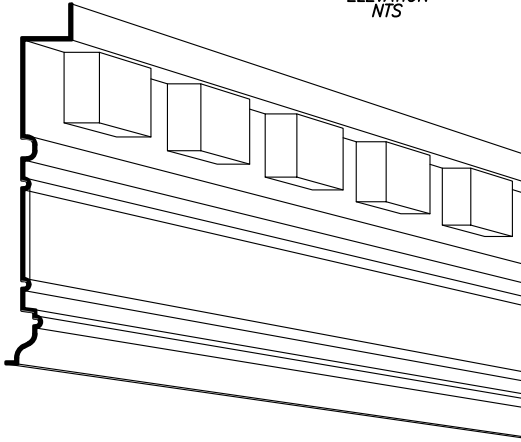
8300 BESSEMER AVE., CLEVELAND, OHIO 44127-1839
(216) 641-8300 - FAX:(216) 641-8150
www.fiberglass-afi.com

C-584

DEPTH: 5 1/2"
HEIGHT: 2'-6"



ELEVATION
NTS



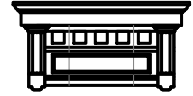
C-585

DEPTH: 1'-10"
HEIGHT: 3'-5 1/2"

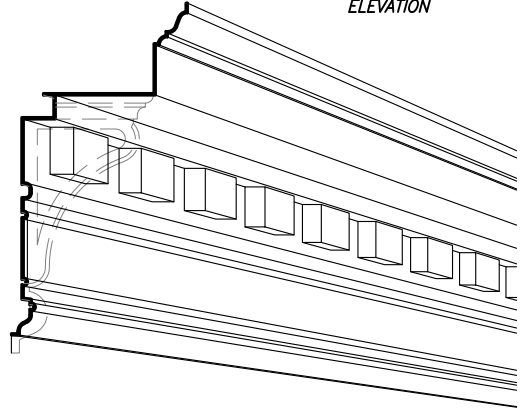


OPTIONAL BRACKETS

NTS



ELEVATION

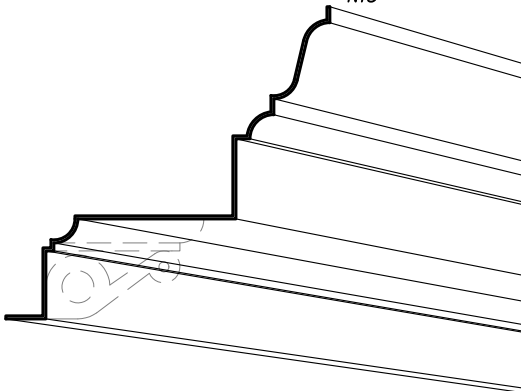


C-586

DEPTH: 1'-8 1/4"
HEIGHT: 1'-7 1/2"

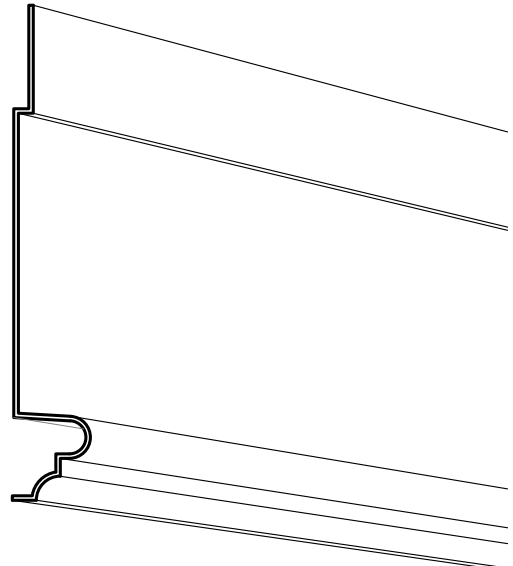


OPTIONAL BRACKETS
NTS



C-587

DEPTH: 3 5/16"
HEIGHT: 1'-8 5/8"



CORNICE

SHEET NO.

C-72

2025

PROFILES

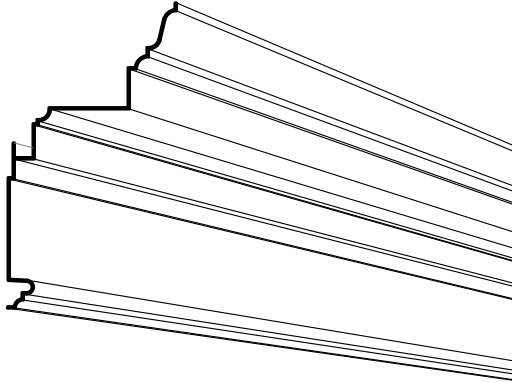
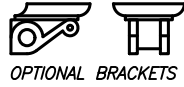


ARCHITECTURAL FIBERGLASS, INC.

8300 BESSEMER AVE., CLEVELAND, OHIO 44127-1839
(216) 641-8300 - FAX:(216) 641-8150
www.fiberglass-afi.com

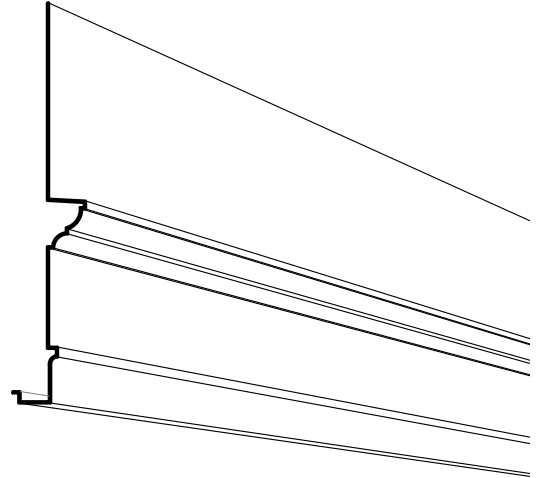
C-588

DEPTH: 1'-9 1/8"
HEIGHT: 3'-2 1/8"



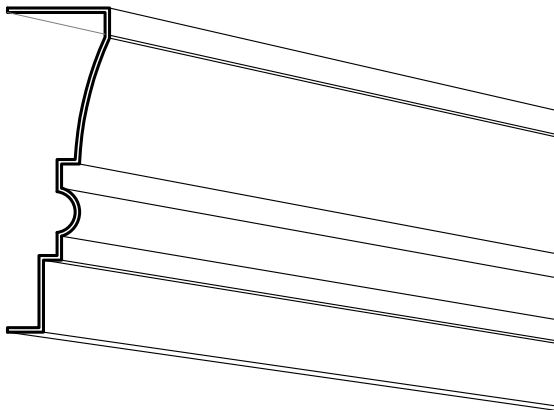
C-589

DEPTH: 9 1/8"
HEIGHT: 4'-2"



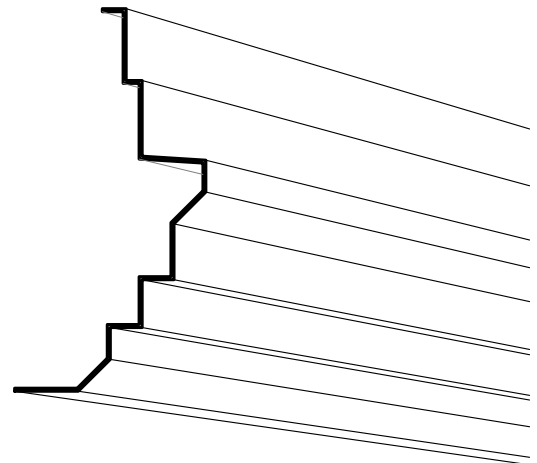
C-590

DEPTH: 4 1/4"
HEIGHT: 1'-1 1/2"



C-591

DEPTH: 1'-0"
HEIGHT: 2'-0"



CORNICE

SHEET NO.

C-73

2025

PROFILES

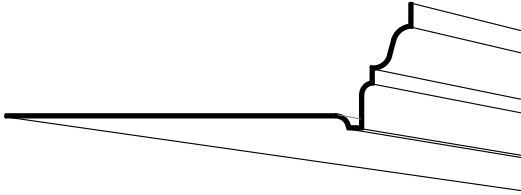


ARCHITECTURAL FIBERGLASS, INC.

8300 BESSEMER AVE., CLEVELAND, OHIO 44127-1839
(216) 641-8300 - FAX:(216) 641-8150
www.fiberglass-afi.com

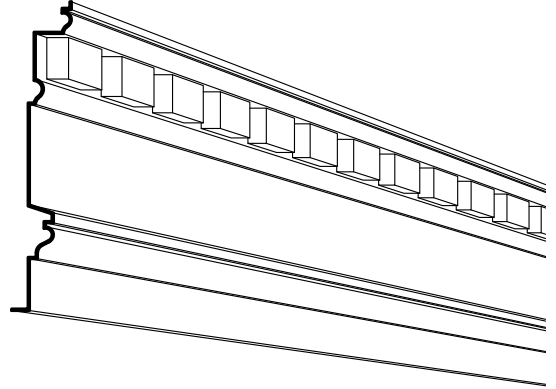
C-592

DEPTH: 2'-10"
HEIGHT: 9 1/2"



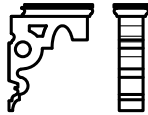
C-593

DEPTH: 7 1/2"
HEIGHT: 3'-2 3/4"

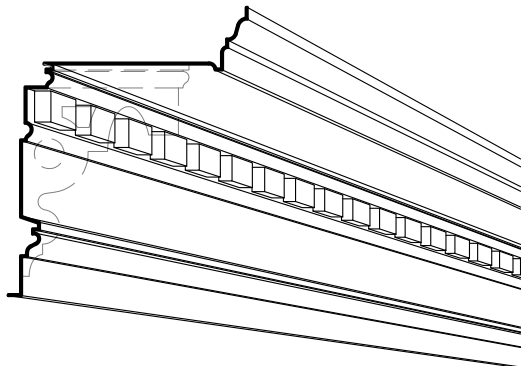


C-594

DEPTH: 3'-4"
HEIGHT: 4'-0 1/4"

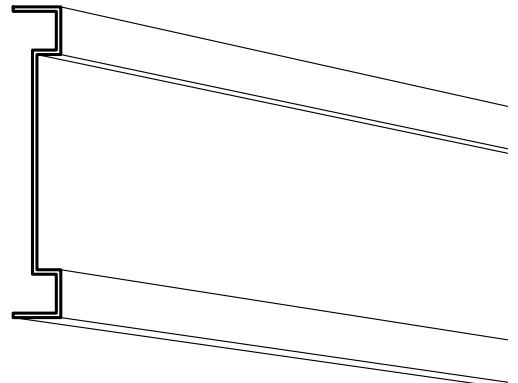


OPTIONAL BRACKETS
NTS



C-595

DEPTH: 2"
HEIGHT: 1'-1"



CORNICE

SHEET NO.

C-74

2025

PROFILES

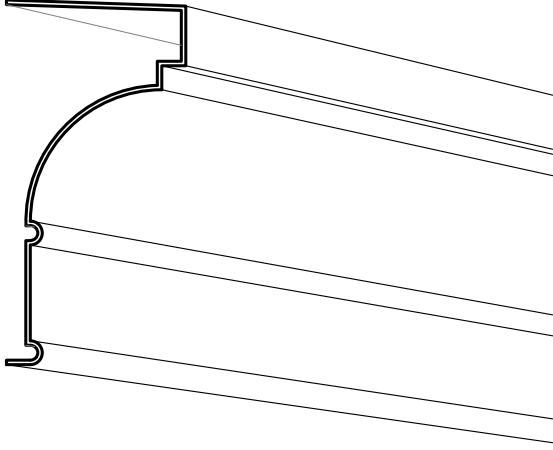


ARCHITECTURAL FIBERGLASS, INC.

8300 BESSEMER AVE., CLEVELAND, OHIO 44127-1839
(216) 641-8300 - FAX:(216) 641-8150
www.fiberglass-afi.com

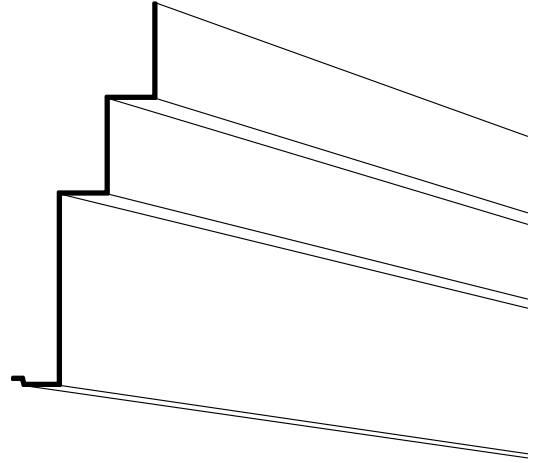
C-596

DEPTH: 4 1/4"
HEIGHT: 1'-1 1/2"



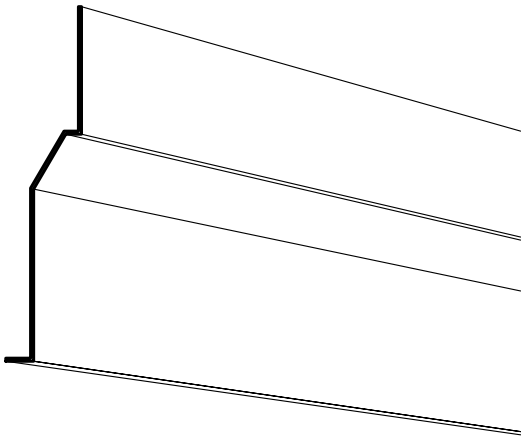
C-597

DEPTH: 1'-0"
HEIGHT: 2'-8"



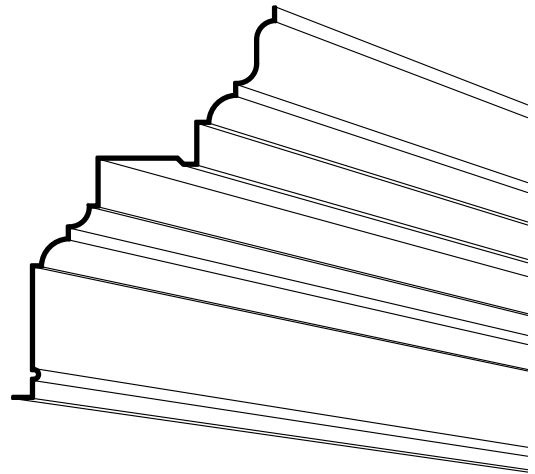
C-598

DEPTH: 4 3/4"
HEIGHT: 1'-10 1/4"



C-599

DEPTH: 1'-10"
HEIGHT: 2'-8 3/4"



CORNICE

SHEET NO.

C-75

2025

PROFILES

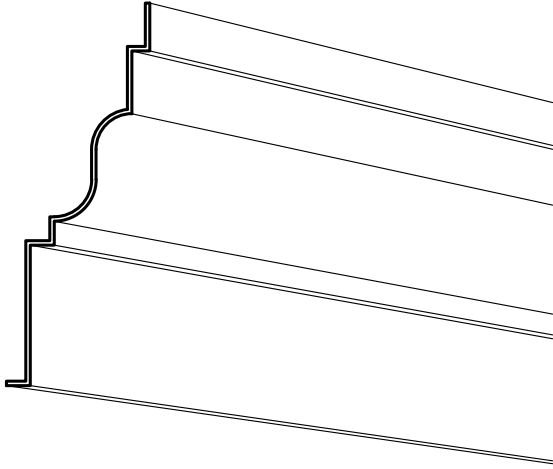


ARCHITECTURAL FIBERGLASS, INC.

8300 BESSEMER AVE., CLEVELAND, OHIO 44127-1839
(216) 641-8300 - FAX:(216) 641-8150
www.fiberglass-afi.com

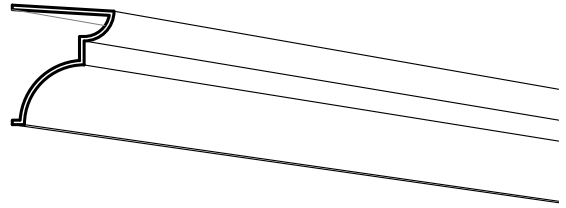
C-600

DEPTH: 6"
HEIGHT: 1'-4"



C-601

DEPTH: 4 1/4"
HEIGHT: 5"



CORNICE

SHEET NO.

C-76

2025

PROFILES



ARCHITECTURAL FIBERGLASS, INC.

8300 BESSEMER AVE., CLEVELAND, OHIO 44127-1839
(216) 641-8300 - FAX:(216) 641-8150
www.fiberglass-afi.com